

C-PCEI 1,5/2 - Cable lug

3241215

<https://www.phoenixcontact.com/us/products/3241215>

Please be informed that the data shown in this PDF document is generated from our online catalog. Please find the complete data in the user documentation. Our general terms of use for downloads are valid.



Pin cable lug, red, 0.5 - 1.5 mm², L1 = 12 mm, with copper sleeve incorporated, for insulation crimp

Your advantages

- "Easy Entry" for easy and reliable conductor entry
- Halogen-free
- Electrogalvanized
- The mechanical load capacity of the connection is significantly increased by the additionally applied copper sleeve (insulation crimp)

Commercial data

Item number	3241215
Packing unit	100 pc
Minimum order quantity	100 pc
Sales key	BH34
Product key	BH3461
Catalog page	Page 496 (C-3-2019)
GTIN	4046356826204
Weight per piece (including packing)	0.938 g
Weight per piece (excluding packing)	0.938 g
Customs tariff number	85369010
Country of origin	TW

C-PCEI 1,5/2 - Cable lug

3241215

<https://www.phoenixcontact.com/us/products/3241215>

Technical data

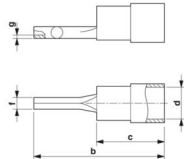
Product properties

Product type	Connector
--------------	-----------

Electrical properties

Fuse	yes
------	-----

Dimensions

Dimensional drawing	
Length of the insulating material sleeve	11 mm
Length contact range	10.5 mm
Min. material thickness	0.75 mm
Inner dimensions of the insulating collar	4.1 mm

Internal dimensions

Internal diameter	1.9 mm
-------------------	--------

Material specifications

Color	red
Material	Copper
Flammability rating according to UL 94	V2
Coating	tin-plated
Insulating material	PA
Components	halogen-free

Environmental and real-life conditions

Ambient conditions

Ambient temperature (operation)	-20 °C ... 105 °C
---------------------------------	-------------------

C-PCEI 1,5/2 - Cable lug

3241215

<https://www.phoenixcontact.com/us/products/3241215>



Classifications

ECLASS

ECLASS-11.0	27400204
ECLASS-12.0	27400204
ECLASS-13.0	27400204

ETIM

ETIM 9.0	EC001052
----------	----------

UNSPSC

UNSPSC 21.0	27121700
-------------	----------

C-PCEI 1,5/2 - Cable lug

3241215

<https://www.phoenixcontact.com/us/products/3241215>



Environmental product compliance

China RoHS	Environmentally friendly use period: unlimited = EFUP-e No hazardous substances above threshold values
------------	---

Phoenix Contact 2024 © - all rights reserved
<https://www.phoenixcontact.com>

Phoenix Contact USA
586 Fulling Mill Road
Middletown, PA 17057, United States
(+717) 944-1300
info@phoenixcon.com