

RVT-PA 6 - Fastening clip

3240499

<https://www.phoenixcontact.com/us/products/3240499>

Please be informed that the data shown in this PDF document is generated from our online catalog. Please find the complete data in the user documentation. Our general terms of use for downloads are valid.

Plastic body-bound rivet, for hole diameter of 6 mm and a material thickness of 1.5 ... 6 mm



Commercial data

Item number	3240499
Packing unit	100 pc
Minimum order quantity	100 pc
Sales key	BH34
Product key	BH34A2
Catalog page	Page 579 (C-3-2019)
GTIN	4046356520331
Weight per piece (including packing)	0.485 g
Weight per piece (excluding packing)	0.476 g
Customs tariff number	39269097
Country of origin	DE

RVT-PA 6 - Fastening clip



3240499

<https://www.phoenixcontact.com/us/products/3240499>

Technical data

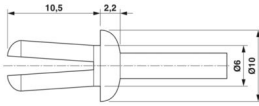
Notes

General	For mounting, use the UNIFOX-PVR P 6 rivet setting tool
---------	---------------------------------------------------------

Product properties

Product type	Filler plug
--------------	-------------

Dimensions

Dimensional drawing	
Diameter	6 mm
Hole diameter	6 mm
Min. material thickness	8 mm
Max. material thickness	2 mm

Material specifications

Color	white
Material	Nylon

RVT-PA 6 - Fastening clip



3240499

<https://www.phoenixcontact.com/us/products/3240499>

Classifications

ECLASS

ECLASS-11.0	27400563
ECLASS-12.0	27400563
ECLASS-13.0	27400766

ETIM

ETIM 9.0	EC000482
----------	----------

UNSPSC

UNSPSC 21.0	39121700
-------------	----------

Phoenix Contact 2024 © - all rights reserved
<https://www.phoenixcontact.com>

Phoenix Contact USA
586 Fulling Mill Road
Middletown, PA 17057, United States
(+717) 944-1300
info@phoenixcon.com