

# C-SCF 2,5/4,8X0,5 - Connector

3240157

<https://www.phoenixcontact.com/us/products/3240157>

Please be informed that the data shown in this PDF document is generated from our online catalog. Please find the complete data in the user documentation. Our general terms of use for downloads are valid.



Slip-on sleeve, non-insulated, 1.5 ... 2.5 mm<sup>2</sup>, 4.8 x 0.5

## Commercial data

|                                      |                     |
|--------------------------------------|---------------------|
| Item number                          | 3240157             |
| Packing unit                         | 100 pc              |
| Minimum order quantity               | 100 pc              |
| Sales key                            | BH34                |
| Product key                          | BH3452              |
| Catalog page                         | Page 498 (C-3-2019) |
| GTIN                                 | 4046356453745       |
| Weight per piece (including packing) | 0.47 g              |
| Weight per piece (excluding packing) | 0.47 g              |
| Customs tariff number                | 85366990            |
| Country of origin                    | BE                  |

# C-SCF 2,5/4,8X0,5 - Connector

3240157

<https://www.phoenixcontact.com/us/products/3240157>

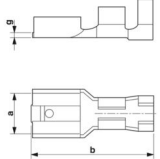


## Technical data

### Product properties

|              |           |
|--------------|-----------|
| Product type | Connector |
|--------------|-----------|

### Dimensions

|                          |  |
|--------------------------|--|
| Dimensional drawing      |  |
| Width                    | 4.8 mm   |
| Maximum stripping length | 8 mm   |
| Min. material thickness  | 0.4 mm   |

### Material specifications

|                     |                  |
|---------------------|------------------|
| Color               | silver           |
| Material            | Brass            |
| Coating             | tin-plated       |
| Insulating material | nicht zutreffend |
| Components          | halogen-free     |

### Environmental and real-life conditions

#### Ambient conditions

|                                 |        |
|---------------------------------|--------|
| Ambient temperature (operation) | 110 °C |
|---------------------------------|--------|

# C-SCF 2,5/4,8X0,5 - Connector



3240157

<https://www.phoenixcontact.com/us/products/3240157>

## Classifications

### ECLASS

|             |          |
|-------------|----------|
| ECLASS-11.0 | 27400212 |
| ECLASS-12.0 | 27400212 |
| ECLASS-13.0 | 27400212 |

### ETIM

|          |          |
|----------|----------|
| ETIM 9.0 | EC001059 |
|----------|----------|

### UNSPSC

|             |          |
|-------------|----------|
| UNSPSC 21.0 | 27121700 |
|-------------|----------|

# C-SCF 2,5/4,8X0,5 - Connector



3240157

<https://www.phoenixcontact.com/us/products/3240157>

## Environmental product compliance

|            |   |
|------------|---|
| China RoHS | Environmentally friendly use period: unlimited = EFUP-e<br>No hazardous substances above threshold values |
|------------|---|

Phoenix Contact 2024 © - all rights reserved  
<https://www.phoenixcontact.com>

Phoenix Contact USA  
586 Fulling Mill Road  
Middletown, PA 17057, United States  
(+717) 944-1300  
[info@phoenixcon.com](mailto:info@phoenixcon.com)