

# C-RC 120/M16 DIN - Ring cable lug

3240127

<https://www.phoenixcontact.com/us/products/3240127>

Please be informed that the data shown in this PDF document is generated from our online catalog. Please find the complete data in the user documentation. Our general terms of use for downloads are valid.



Ring cable lug, non-insulated, 120 mm<sup>2</sup>, M16

## Commercial data

Item number	3240127
Packing unit	25 pc
Minimum order quantity	25 pc
Sales key	BH34
Product key	BH3422
GTIN	4046356453448
Weight per piece (including packing)	60.4 g
Weight per piece (excluding packing)	58.372 g
Customs tariff number	85369010
Country of origin	CN

# C-RC 120/M16 DIN - Ring cable lug

3240127

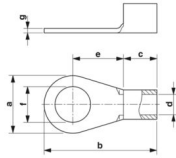
<https://www.phoenixcontact.com/us/products/3240127>

## Technical data

### Product properties

Product type	Connector
--------------	-----------

### Dimensions

Dimensional drawing	
Width	28 mm
Length of the insulating material sleeve	22 mm
Maximum stripping length	25 mm
Distance from the center to the insulating material sleeve	26 mm
Min. material thickness	3 mm
Inner dimensions of the insulating collar	16.5 mm

### Internal dimensions

Internal diameter	17 mm
-------------------	-------

### Material specifications

Color	silver
Material	Copper
Coating	tin-plated

### Environmental and real-life conditions

#### Ambient conditions

Ambient temperature (operation)	110 °C
---------------------------------	--------

### Standards and regulations

Design according to standard	DIN 46234
------------------------------	-----------

# C-RC 120/M16 DIN - Ring cable lug



3240127

<https://www.phoenixcontact.com/us/products/3240127>

## Classifications

### ECLASS

ECLASS-11.0	27400204
ECLASS-13.0	27400204
ECLASS-12.0	27400204

### ETIM

ETIM 9.0	EC001052
----------	----------

### UNSPSC

UNSPSC 21.0	27121700
-------------	----------

# C-RC 120/M16 DIN - Ring cable lug



3240127

<https://www.phoenixcontact.com/us/products/3240127>

## Environmental product compliance

China RoHS	Environmentally friendly use period: unlimited = EFUP-e
	No hazardous substances above threshold values

Phoenix Contact 2024 © - all rights reserved  
<https://www.phoenixcontact.com>

Phoenix Contact USA  
586 Fulling Mill Road  
Middletown, PA 17057, United States  
(+717) 944-1300  
[info@phoenixcon.com](mailto:info@phoenixcon.com)