

AI-TWIN 2X 2,5 -13 BU - Ferrule

3200878

<https://www.phoenixcontact.com/us/products/3200878>

Please be informed that the data shown in this PDF document is generated from our online catalog. Please find the complete data in the user documentation. Our general terms of use for downloads are valid.

Ferrule, sleeve length: 13 mm, color: blue



Your advantages

- These special ferrules allow chain bridges to be set up with ease
- The TWIN ferrules provide a practical way of crimping two conductors in one ferrule
- Different versions of the individual TWIN ferrules can be selected for specific applications

Commercial data

| | |
|--------------------------------------|---------------------|
| Item number | 3200878 |
| Packing unit | 100 pc |
| Minimum order quantity | 100 pc |
| Sales key | BH34 |
| Product key | BH3413 |
| Catalog page | Page 486 (C-3-2019) |
| GTIN | 4017918094423 |
| Weight per piece (including packing) | 0.362 g |
| Weight per piece (excluding packing) | 0.35 g |
| Customs tariff number | 85369010 |
| Country of origin | DE |

AI-TWIN 2X 2,5 -13 BU - Ferrule

3200878

<https://www.phoenixcontact.com/us/products/3200878>

Technical data

Product properties

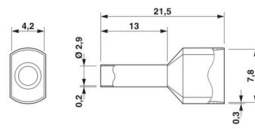
| | |
|--------------------|---|
| Product type | Cable end sleeve |
| Conductor category | stranded conductors, class 2, 5, 6 / B, C, K, M |

Connection data

Conductor connection

| | |
|---------------------------------------|---------------------|
| Conductor cross section flexible max. | 2.5 mm ² |
| Conductor cross section AWG max. | 14 |
| Stripping length | 17 mm |

Dimensions

| | |
|---|---|
| Dimensional drawing |  |
| Sleeve length | 13 mm |
| Maximum stripping length | 17 mm |
| Ferrule diameter | 2.9 mm |
| Sleeve wall thickness | 0.2 mm |
| Insulating collar thickness | 0.3 mm |
| Inner dimensions of the insulating collar | 4.2 mm |

Material specifications

| | |
|--|--------------------------------|
| Color | blue |
| Material | CU-DHP |
| Flammability rating according to UL 94 | HB |
| Coating | tin-plated (galvanic) |
| Components | free from silicone and halogen |

Mechanical properties

Technical data

| | |
|---------------|-------|
| Sleeve length | 13 mm |
|---------------|-------|

Environmental and real-life conditions

Ambient conditions

| | |
|------------------------|---|
| Permanent temperature | 105 °C (-40 °C no load / 0 °C dynamic load) |
| Short-term temperature | 120 °C |

Standards and regulations

AI-TWIN 2X 2,5 -13 BU - Ferrule

3200878

<https://www.phoenixcontact.com/us/products/3200878>



Design according to standard

DIN 46228-4, UL 486F-F

AI-TWIN 2X 2,5 -13 BU - Ferrule



3200878

<https://www.phoenixcontact.com/us/products/3200878>

Classifications

ECLASS

| | |
|-------------|----------|
| ECLASS-11.0 | 27400201 |
| ECLASS-13.0 | 27400201 |
| ECLASS-12.0 | 27400201 |

ETIM

| | |
|----------|----------|
| ETIM 9.0 | EC000005 |
|----------|----------|

UNSPSC

| | |
|-------------|----------|
| UNSPSC 21.0 | 27121700 |
|-------------|----------|

AI-TWIN 2X 2,5 -13 BU - Ferrule



3200878

<https://www.phoenixcontact.com/us/products/3200878>

Environmental product compliance

| | |
|------------|---|
| China RoHS | Environmentally friendly use period: unlimited = EFUP-e |
| | No hazardous substances above threshold values |

Phoenix Contact 2024 © - all rights reserved
<https://www.phoenixcontact.com>

Phoenix Contact USA
586 Fulling Mill Road
Middletown, PA 17057, United States
(+717) 944-1300
info@phoenixcon.com