

AI 25 -16 YE - Ferrule

3200577

<https://www.phoenixcontact.com/us/products/3200577>



Please be informed that the data shown in this PDF document is generated from our online catalog. Please find the complete data in the user documentation. Our general terms of use for downloads are valid.

Ferrule, sleeve length: 16 mm, color: yellow



Your advantages

- The insulation reliability of close connections is increased and the splicing of wires is prevented
- The ferrules with plastic sleeve are made from soft tin-plated electrolytic copper
- The AI 0,25.. ferrules can also be used to process 0.14 mm² conductors

Commercial data

Item number	3200577
Packing unit	50 pc
Minimum order quantity	50 pc
Sales key	BH34
Product key	BH3411
Catalog page	Page 481 (C-3-2019)
GTIN	4017918094188
Weight per piece (including packing)	1.208 g
Weight per piece (excluding packing)	1.208 g
Customs tariff number	85369010
Country of origin	DE

AI 25 -16 YE - Ferrule

3200577

<https://www.phoenixcontact.com/us/products/3200577>



Technical data

Product properties

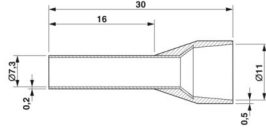
Product type	Cable end sleeve
Set comprises	1202580 CRIMPSET 25
Conductor category	stranded conductors, class 2, 5, 6 / B, C, K, M

Connection data

Conductor connection

Conductor cross section flexible max.	25 mm ²
Conductor cross section AWG max.	4
Stripping length	20 mm

Dimensions

Dimensional drawing	
Sleeve length	16 mm
Maximum stripping length	20 mm
Ferrule diameter	7.3 mm
Sleeve wall thickness	0.2 mm
Insulating collar thickness	0.5 mm
Inner dimensions of the insulating collar	11 mm

Material specifications

Color	yellow
Material	CU-DHP
Flammability rating according to UL 94	HB
Coating	tin-plated (galvanic)
Components	free from silicone and halogen

Mechanical properties

Technical data

Sleeve length	16 mm
---------------	-------

Environmental and real-life conditions

Ambient conditions

Permanent temperature	105 °C (-40 °C no load / 0 °C dynamic load)
Short-term temperature	120 °C

AI 25 -16 YE - Ferrule

3200577

<https://www.phoenixcontact.com/us/products/3200577>



Standards and regulations

Design according to standard

DIN 46228-4, UL 486F-E

AI 25 -16 YE - Ferrule

3200577

<https://www.phoenixcontact.com/us/products/3200577>



Classifications

ECLASS

ECLASS-11.0	27400201
ECLASS-12.0	27400201
ECLASS-13.0	27400201

ETIM

ETIM 9.0	EC000005
----------	----------

UNSPSC

UNSPSC 21.0	27121700
-------------	----------

AI 25 -16 YE - Ferrule

3200577

<https://www.phoenixcontact.com/us/products/3200577>



Environmental product compliance

China RoHS	Environmentally friendly use period: unlimited = EFUP-e No hazardous substances above threshold values
------------	---

Phoenix Contact 2024 © - all rights reserved
<https://www.phoenixcontact.com>

Phoenix Contact USA
586 Fulling Mill Road
Middletown, PA 17057, United States
(+717) 944-1300
info@phoenixcon.com