

A 1 -10 - Ferrule

3200250

<https://www.phoenixcontact.com/us/products/3200250>



Please be informed that the data shown in this PDF document is generated from our online catalog. Please find the complete data in the user documentation. Our general terms of use for downloads are valid.

Ferrule, color: silver



Commercial data

Item number	3200250
Packing unit	1,000 pc
Minimum order quantity	1,000 pc
Sales key	BH34
Product key	BH3412
Catalog page	Page 480 (C-3-2019)
GTIN	4017918093907
Weight per piece (including packing)	0.07 g
Weight per piece (excluding packing)	0.068 g
Customs tariff number	85369010
Country of origin	DE

A 1 -10 - Ferrule

3200250

<https://www.phoenixcontact.com/us/products/3200250>



Technical data

Product properties

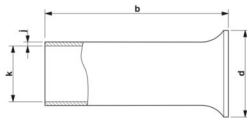
Product type	Cable end sleeve
Conductor category	stranded conductors, class 2, 5, 6 / B, C, K, M

Connection data

Conductor connection

Conductor cross section flexible max.	1 mm ²
Conductor cross section AWG max.	18
Stripping length	10 mm

Dimensions

Dimensional drawing	
Maximum stripping length	10 mm
Ferrule diameter	1.4 mm
Sleeve wall thickness	0.15 mm
Inner dimensions of the insulating collar	2.5 mm

Material specifications

Color	silver
Material	CU-DHP
Coating	tin-plated (galvanic)

Environmental and real-life conditions

Ambient conditions

Permanent temperature	105 °C
Short-term temperature	120 °C

Standards and regulations

Design according to standard	DIN 46228-1, UL 486F-A
------------------------------	------------------------

A 1 -10 - Ferrule

3200250

<https://www.phoenixcontact.com/us/products/3200250>



Classifications

ECLASS

ECLASS-11.0	27400201
ECLASS-13.0	27400201
ECLASS-12.0	27400201

ETIM

ETIM 9.0	EC000005
----------	----------

UNSPSC

UNSPSC 21.0	27121700
-------------	----------

A 1 -10 - Ferrule

3200250

<https://www.phoenixcontact.com/us/products/3200250>



Environmental product compliance

China RoHS	Environmentally friendly use period: unlimited = EFUP-e
	No hazardous substances above threshold values

Phoenix Contact 2024 © - all rights reserved
<https://www.phoenixcontact.com>

Phoenix Contact USA
586 Fulling Mill Road
Middletown, PA 17057, United States
(+717) 944-1300
info@phoenixcon.com