

ICC-MT 0,5-1,0 BA - Crimp contact



3190603

<https://www.phoenixcontact.com/us/products/3190603>

Please be informed that the data shown in this PDF document is generated from our online catalog. Please find the complete data in the user documentation. Our general terms of use for downloads are valid.



Module male contact, is inserted into the ICC connector shell after the conductor has been crimped, for conductors from 0.5-1.0 mm², ribbon contact

Commercial data

Item number	3190603
Packing unit	4,000 pc
Minimum order quantity	4,000 pc
Sales key	AA03
Product key	AACCBE
Catalog page	Page 827 (C-1-2013)
GTIN	4017918100582
Weight per piece (including packing)	0.98 g
Weight per piece (excluding packing)	3,790 g
Customs tariff number	85389099
Country of origin	DE

ICC-MT 0,5-1,0 BA - Crimp contact



3190603

<https://www.phoenixcontact.com/us/products/3190603>

Technical data

Product properties

Product type	Crimp contact
Product family	ICC-MT
Pitch	0 mm

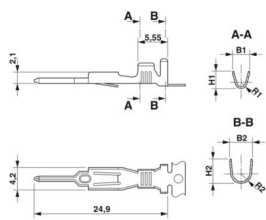
Connection data

Connection method	Crimp connection
Contact connection type	Pin
Stripping length	4 mm ... 4.1 mm
Conductor cross section flexible	0.5 mm ² ... 1 mm ²
Conductor cross section AWG	20 ... 18
Wire diameter including insulation	1.4 mm ... 2.31 mm

Material specifications

Contact surface	Tin Sn
Contact surface material	Tin
Metal surface contact area (top layer)	Tin Sn)

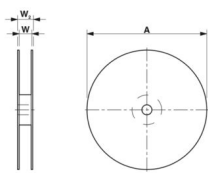
Dimensions

Dimensional drawing	
Pitch	0 mm

Electrical properties

Nominal current I_N	12 A
-----------------------	------

Packaging specifications

Dimensional drawing	
Type of packaging	Belt

ICC-MT 0,5-1,0 BA - Crimp contact



3190603

<https://www.phoenixcontact.com/us/products/3190603>

Classifications

ECLASS

ECLASS-11.0	27460403
ECLASS-13.0	27460403
ECLASS-12.0	27460403

ETIM

ETIM 9.0	EC000796
----------	----------

UNSPSC

UNSPSC 21.0	39121500
-------------	----------

ICC-MT 0,5-1,0 BA - Crimp contact



3190603

<https://www.phoenixcontact.com/us/products/3190603>

Environmental product compliance

China RoHS	Environmentally friendly use period: unlimited = EFUP-e
	No hazardous substances above threshold values

Phoenix Contact 2024 © - all rights reserved
<https://www.phoenixcontact.com>

Phoenix Contact USA
586 Fulling Mill Road
Middletown, PA 17057, United States
(+717) 944-1300
info@phoenixcon.com