

# ICC-MT 0,5-1,0 - Crimp contact



3190577

<https://www.phoenixcontact.com/us/products/3190577>

Please be informed that the data shown in this PDF document is generated from our online catalog. Please find the complete data in the user documentation. Our general terms of use for downloads are valid.



Module male contact, is inserted into the ICC connector shell after the conductor has been crimped, for conductors from 0.5-1.0 mm<sup>2</sup>

## Commercial data

|                                      |                     |
|--------------------------------------|---------------------|
| Item number                          | 3190577             |
| Packing unit                         | 100 pc              |
| Minimum order quantity               | 100 pc              |
| Sales key                            | AA03                |
| Product key                          | AACCBE              |
| Catalog page                         | Page 827 (C-1-2013) |
| GTIN                                 | 4017918093402       |
| Weight per piece (including packing) | 0.346 g             |
| Weight per piece (excluding packing) | 0.346 g             |
| Customs tariff number                | 85366990            |
| Country of origin                    | PL                  |

# ICC-MT 0,5-1,0 - Crimp contact

3190577

<https://www.phoenixcontact.com/us/products/3190577>



## Technical data

### Product properties

|                |               |
|----------------|---------------|
| Product type   | Crimp contact |
| Product family | ICC-MT        |
| Pitch          | 0 mm          |

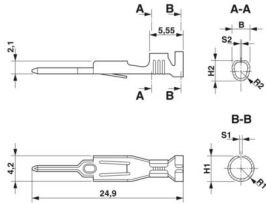
### Connection data

|                                    |   |
|------------------------------------|---|
| Connection method                  | Crimp connection                          |
| Contact connection type            | Pin                                       |
| Stripping length                   | 4 mm ... 4.1 mm                           |
| Conductor cross section flexible   | 0.5 mm <sup>2</sup> ... 1 mm <sup>2</sup> |
| Wire diameter including insulation | 1.4 mm ... 2.31 mm                        |

### Material specifications

|  |         |
|--|---------|
| Contact surface                        | Tin Sn  |
| Contact surface material               | Tin     |
| Metal surface contact area (top layer) | Tin Sn) |

### Dimensions

|                     |  |
|---------------------|--|
| Dimensional drawing |  |
| Pitch               | 0 mm   |

### Electrical properties

|                       |      |
|-----------------------|------|
| Nominal current $I_N$ | 12 A |
|-----------------------|------|

### Packaging specifications

|                   |            |
|-------------------|------------|
| Type of packaging | Bulk goods |
|-------------------|------------|

# ICC-MT 0,5-1,0 - Crimp contact



3190577

<https://www.phoenixcontact.com/us/products/3190577>

## Classifications

### ECLASS

|             |          |
|-------------|----------|
| ECLASS-11.0 | 27460403 |
| ECLASS-12.0 | 27460403 |
| ECLASS-13.0 | 27460403 |

### ETIM

|          |          |
|----------|----------|
| ETIM 9.0 | EC000796 |
|----------|----------|

### UNSPSC

|             |          |
|-------------|----------|
| UNSPSC 21.0 | 39121500 |
|-------------|----------|

# ICC-MT 0,5-1,0 - Crimp contact



3190577

<https://www.phoenixcontact.com/us/products/3190577>

## Environmental product compliance

|            |   |
|------------|---|
| China RoHS | Environmentally friendly use period: unlimited = EFUP-e<br>No hazardous substances above threshold values |
|------------|---|

Phoenix Contact 2024 © - all rights reserved  
<https://www.phoenixcontact.com>

Phoenix Contact USA  
586 Fulling Mill Road  
Middletown, PA 17057, United States  
(+717) 944-1300  
[info@phoenixcon.com](mailto:info@phoenixcon.com)