

AB-SK-D TOP - Support bracket

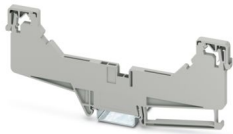


3062100

<https://www.phoenixcontact.com/us/products/3062100>

Please be informed that the data shown in this PDF document is generated from our online catalog. Please find the complete data in the user documentation. Our general terms of use for downloads are valid.

Support bracket, Bracket for busbars, set every 20 cm, width: 5.2 mm, height: 155.8 mm, number of positions: 2, color: gray, mounting type: DIN rail mounting



Your advantages

- For mounting SK and SKS shield connection clamps
- Can be labeled with zack marker strip and KLM terminal strip markers
- Compact design with 5.2 mm pitch
- Parking option for bridges and plugs
- For user-friendly shield connection, especially for single and multi-level terminal blocks and devices with a front connection
- The 3 x 10 mm rail can be mounted in the supports vertically, horizontally, and at a 45° angle for optimum conductor placement

Commercial data

Item number	3062100
Packing unit	10 pc
Minimum order quantity	10 pc
Sales key	BE07
Product key	BE7113
Catalog page	Page 572 (C-3-2019)
GTIN	4046356591867
Weight per piece (including packing)	30.39 g
Weight per piece (excluding packing)	30.39 g
Customs tariff number	85389099
Country of origin	CN

AB-SK-D TOP - Support bracket

3062100

<https://www.phoenixcontact.com/us/products/3062100>

Technical data

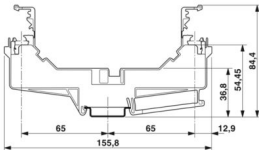
Product properties

Product type	Support bracket
Number of positions	2

Electrical properties

Nominal current I_N	0 A
-----------------------	-----

Dimensions

Dimensional drawing	
Width	5.2 mm
Height	155.8 mm

Material specifications

Color	gray
Material	PA
Flammability rating according to UL 94	V0
Insulating material	PA
Static insulating material application in cold	-60 °C
Temperature index of insulation material (DIN EN 60216-1 (VDE 0304-21))	130 °C
Relative insulation material temperature index (Elec., UL 746 B)	130 °C

Environmental and real-life conditions

Ambient conditions

Ambient temperature (operation)	-60 °C ... 105 °C (max. short-term operating temperature RTI Elec.)
Ambient temperature (storage/transport)	-25 °C ... 60 °C (for a short time, not exceeding 24 h, -60 °C to +70 °C)
Ambient temperature (assembly)	-5 °C ... 70 °C
Ambient temperature (actuation)	-5 °C ... 70 °C
Permissible humidity (storage/transport)	30 % ... 70 %

Mounting

Mounting type	DIN rail mounting
---------------	-------------------

AB-SK-D TOP - Support bracket



3062100

<https://www.phoenixcontact.com/us/products/3062100>

Classifications

ECLASS

ECLASS-11.0	27400607
ECLASS-12.0	27400607
ECLASS-13.0	27400607

ETIM

ETIM 9.0	EC001166
----------	----------

UNSPSC

UNSPSC 21.0	39121700
-------------	----------

AB-SK-D TOP - Support bracket



3062100

<https://www.phoenixcontact.com/us/products/3062100>

Environmental product compliance

China RoHS	Environmentally friendly use period: unlimited = EFUP-e No hazardous substances above threshold values
------------	---

Phoenix Contact 2024 © - all rights reserved
<https://www.phoenixcontact.com>

Phoenix Contact USA
586 Fulling Mill Road
Middletown, PA 17057, United States
(+717) 944-1300
info@phoenixcon.com