

DP PS-5 - Spacer plate

3036725

<https://www.phoenixcontact.com/us/products/3036725>

Please be informed that the data shown in this PDF document is generated from our online catalog. Please find the complete data in the user documentation. Our general terms of use for downloads are valid.

Spacer plate, depth: 29 mm, width: 5.2 mm, height: 22.4 mm, number of positions: 1, color: red



Commercial data

Item number	3036725
Packing unit	10 pc
Minimum order quantity	10 pc
Sales key	BE29
Product key	BE2Z3X
Catalog page	Page 70 (C-1-2019)
GTIN	4017918818975
Weight per piece (including packing)	1.55 g
Weight per piece (excluding packing)	1.4 g
Customs tariff number	39269097
Country of origin	PL

DP PS-5 - Spacer plate

3036725

<https://www.phoenixcontact.com/us/products/3036725>

Technical data

Product properties

Product type	Partition plate
Number of positions	1

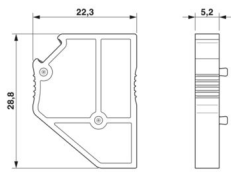
Ambient conditions

Ambient temperature (operation)	-60 °C ... 105 °C (max. short-term operating temperature RTI Elec.)
Ambient temperature (storage/transport)	-25 °C ... 60 °C (for a short time, not exceeding 24 h, -60 °C to +70 °C)
Ambient temperature (assembly)	-5 °C ... 70 °C
Ambient temperature (actuation)	-5 °C ... 70 °C ()
Permissible humidity (storage/transport)	30 % ... 70 %

Material specifications

Color	red
Material	PA
Flammability rating according to UL 94	V0

Dimensions

Dimensional drawing	
Width	5.2 mm
Height	22.4 mm
Depth	29 mm

Environmental and real-life conditions

Ambient conditions

Ambient temperature (operation)	-60 °C ... 105 °C (max. short-term operating temperature RTI Elec.)
Ambient temperature (storage/transport)	-25 °C ... 60 °C (for a short time, not exceeding 24 h, -60 °C to +70 °C)
Ambient temperature (assembly)	-5 °C ... 70 °C
Ambient temperature (actuation)	-5 °C ... 70 °C ()
Permissible humidity (storage/transport)	30 % ... 70 %

DP PS-5 - Spacer plate



3036725

<https://www.phoenixcontact.com/us/products/3036725>

Classifications

ECLASS

ECLASS-11.0	27141133
ECLASS-12.0	27141133
ECLASS-13.0	27250301

ETIM

ETIM 9.0	EC000886
----------	----------

UNSPSC

UNSPSC 21.0	39121400
-------------	----------

DP PS-5 - Spacer plate

3036725

<https://www.phoenixcontact.com/us/products/3036725>



Environmental product compliance

China RoHS	Environmentally friendly use period: unlimited = EFUP-e
	No hazardous substances above threshold values

Phoenix Contact 2024 © - all rights reserved
<https://www.phoenixcontact.com>

Phoenix Contact USA
586 Fulling Mill Road
Middletown, PA 17057, United States
(+717) 944-1300
info@phoenixcon.com