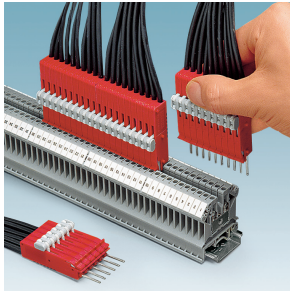


Test plugs - PS-UK 2,5 B/Z-6 - 3001239

Please be informed that the data shown in this PDF Document is generated from our Online Catalog. Please find the complete data in the user's documentation. Our General Terms of Use for Downloads are valid (<http://phoenixcontact.com/download>)



Test plugs, color: red

Your advantages

- ✓ The test plug reliably makes contact in the bridge shaft and in all test sockets with a 2.3 mm or 4 mm diameter
- ✓ Individual test adapters can be combined using the modular PS-...2,3MM test plug.



Key Commercial Data

| | |
|--------------------------------------|---|
| Packing unit | 1 pc |
| GTIN |  4 017918 089856 |
| GTIN | 4017918089856 |
| Weight per Piece (excluding packing) | 55.000 g |
| Custom tariff number | 85366990 |
| Country of origin | Poland |

Technical data

General

| | |
|-------|-----|
| Color | red |
|-------|-----|

Dimensions

| | |
|--------------|---------|
| Length | 19.6 mm |
| Width | 5 mm |
| Pitch | 6.2 mm |
| Pin diameter | 6.5 mm |

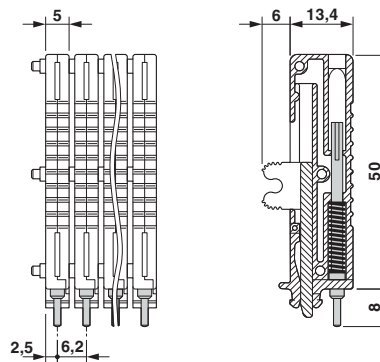
Test plugs - PS-UK 2,5 B/Z-6 - 3001239

Technical data

| | |
|--|---|
| Material | PA |
| Ambient conditions | |
| Operating temperature | -40 °C ... 115 °C |
| Standards and Regulations | |
| Flammability rating according to UL 94 | V2 |
| Environmental Product Compliance | |
| REACH SVHC | Lead 7439-92-1 |
| China RoHS | Environmentally Friendly Use Period = 50 years |
| | For details about hazardous substances go to tab "Downloads", Category "Manufacturer's declaration" |

Drawings

Dimensional drawing



Classifications

eCl@ss

| | |
|---------------|----------|
| eCl@ss 10.0.1 | 27440313 |
| eCl@ss 11.0 | 27440313 |
| eCl@ss 4.0 | 27141100 |
| eCl@ss 4.1 | 27141100 |
| eCl@ss 5.0 | 27141100 |
| eCl@ss 5.1 | 27141100 |
| eCl@ss 6.0 | 27141100 |
| eCl@ss 7.0 | 27440313 |
| eCl@ss 9.0 | 27440313 |

Test plugs - PS-UK 2,5 B/Z-6 - 3001239

Classifications

ETIM

| | |
|----------|----------|
| ETIM 2.0 | EC000897 |
| ETIM 3.0 | EC000897 |
| ETIM 4.0 | EC002255 |
| ETIM 6.0 | EC002255 |
| ETIM 7.0 | EC002255 |

UNSPSC

| | |
|---------------|----------|
| UNSPSC 6.01 | 30211812 |
| UNSPSC 7.0901 | 39121410 |
| UNSPSC 11 | 39121411 |
| UNSPSC 12.01 | 39121411 |
| UNSPSC 13.2 | 39121410 |
| UNSPSC 18.0 | 39121410 |
| UNSPSC 19.0 | 39121410 |
| UNSPSC 20.0 | 39121410 |
| UNSPSC 21.0 | 39121410 |

Approvals


Approvals

Approvals

EAC

Ex Approvals

Approval details

| | | |
|-----|---|--------------------------|
| EAC |  | RU C- DE.BL08.B.00511 |
|-----|---|--------------------------|