

Test plugs - PS-UK 2,5 B/Z-5 - 3001226

Please be informed that the data shown in this PDF Document is generated from our Online Catalog. Please find the complete data in the user's documentation. Our General Terms of Use for Downloads are valid (<http://phoenixcontact.com/download>)



Test plugs, color: red

Your advantages

- The test plug reliably makes contact in the bridge shaft and in all test sockets with a 2.3 mm or 4 mm diameter
- Individual test adapters can be combined using the modular PS-...2,3MM test plug.



Key Commercial Data

Packing unit	1 pc
GTIN	 4 017918 107185
GTIN	4017918107185
Weight per Piece (excluding packing)	49.400 g
Custom tariff number	85366990
Country of origin	Poland

Technical data

General

Color	red
-------	-----

Dimensions

Length	19.6 mm
Width	5 mm
Pitch	5.2 mm
Material	PA

Test plugs - PS-UK 2,5 B/Z-5 - 3001226

Technical data

Ambient conditions

Operating temperature	-40 °C ... 115 °C
-----------------------	-------------------

Standards and Regulations

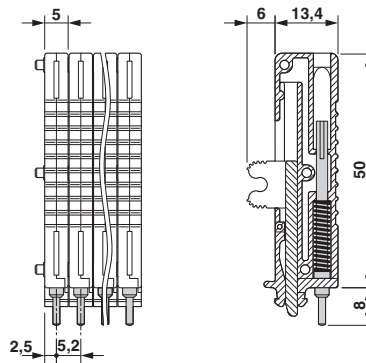
Flammability rating according to UL 94	V2
----------------------------------------	----

Environmental Product Compliance

REACH SVHC	Lead 7439-92-1
China RoHS	Environmentally Friendly Use Period = 50 years
	For details about hazardous substances go to tab "Downloads", Category "Manufacturer's declaration"

Drawings

Dimensional drawing



Classifications

eCl@ss

eCl@ss 10.0.1	27440313
eCl@ss 11.0	27440313
eCl@ss 4.0	27141100
eCl@ss 4.1	27141100
eCl@ss 5.0	27141100
eCl@ss 5.1	27141100
eCl@ss 6.0	27141100
eCl@ss 7.0	27440313
eCl@ss 9.0	27440313

ETIM

ETIM 2.0	EC000897
----------	----------

Test plugs - PS-UK 2,5 B/Z-5 - 3001226

Classifications

ETIM

ETIM 3.0	EC000897
ETIM 4.0	EC002255
ETIM 6.0	EC002255
ETIM 7.0	EC002255

UNSPSC

UNSPSC 6.01	30211812
UNSPSC 7.0901	39121410
UNSPSC 11	39121411
UNSPSC 12.01	39121411
UNSPSC 13.2	39121410
UNSPSC 18.0	39121410
UNSPSC 19.0	39121410
UNSPSC 20.0	39121410
UNSPSC 21.0	39121410

Approvals

Approvals

Approvals

EAC

Ex Approvals

Approval details

EAC		RU C- DE.BL08.B.00511
-----	-------------------------------------------------------------------------------------	--------------------------
