

Sensor/actuator box - PSR-SACB-4/4-L- 5,0PUR-SD - 2981871

Please be informed that the data shown in this PDF Document is generated from our Online Catalog. Please find the complete data in the user's documentation. Our General Terms of Use for Downloads are valid (<http://phoenixcontact.com/download>)



The sensor box PSR-SACB for safety limit switches safely interconnects up to 4 connected limit switches, each with 1 N/C contact and 1 N/O contact, to a safety relay combination, e.g. PSR-SDC4, cable length: 5 m

The figure shows a version of the product

Your advantages

- ✓ Safety in the field, thanks to robust housing and high degree of protection
- ✓ Flexible, distributed bundling of signals in one master cable
- ✓ Convenient: increased machine availability thanks to quick and easy diagnostics



Key Commercial Data

Packing unit	1 pc
GTIN	 4 046356 167970
GTIN	4046356167970
Weight per Piece (excluding packing)	568.500 g
Custom tariff number	85444290
Country of origin	Poland

Technical data

Dimensions

Width	54 mm
Height	82 mm
Depth	19 mm

Ambient conditions

Ambient temperature (operation)	-20 °C ... 70 °C
---------------------------------	------------------

Sensor/actuator box - PSR-SACB-4/4-L- 5,0PUR-SD - 2981871

Technical data

Ambient conditions

Ambient temperature (storage/transport)	-20 °C ... 70 °C
Degree of protection	IP65/IP67
Ambient temperature (operation)	-30 °C ... 70 °C (for fixed installation)
	-5 °C ... 70 °C (for flexible installation)

Supply

Nominal input voltage U_N	24 V DC (from PSR)
Input voltage range in reference to U_N	0.8 ... 1.1

Master cable

Cable type	Master cable suitable for flexible cable conduit
Fixed cable length	5 m
Signal line cross section, stranded	6x 0.34 mm ²
Power supply cross section, stranded	2x 0.75 mm ²
External diameter	8.2 mm

General

Number of positions	4
Number of slots	4
Status display	Yellow LED
Max. permissible current	100 mA (per signal output)
Max. permissible total current	100 mA (alarm outputs)
Nominal operating mode	100% operating factor
Mounting position	any
Assembly instructions	In rows with zero spacing
Designation	Air clearances and creepage distances
Standards/regulations	DIN EN 50178
Rated insulation voltage	50 V DC
Degree of pollution	2
Overvoltage category	III
Insulating material (housing)	PA 6.6
Flammability rating according to UL 94	V0

Standards and Regulations

Connection in acc. with standard	CUL
Designation	Air clearances and creepage distances
Standards/regulations	DIN EN 50178
Rated insulation voltage	50 V DC
Rated surge voltage	0.8 kV

Sensor/actuator box - PSR-SACB-4/4-L- 5,0PUR-SD - 2981871

Technical data

Standards and Regulations

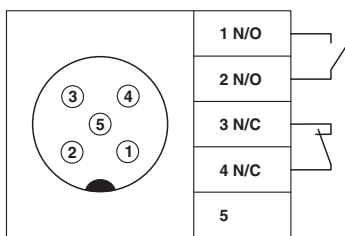
Degree of pollution	2
Overvoltage category	III
Flammability rating according to UL 94	V0

Environmental Product Compliance

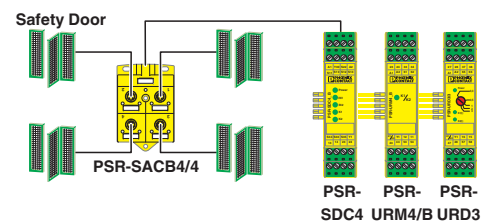
China RoHS	Environmentally Friendly Use Period = 50 years
	For details about hazardous substances go to tab "Downloads", Category "Manufacturer's declaration"

Drawings

Connection diagram



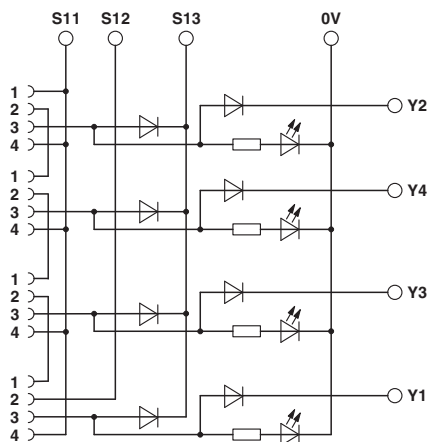
Application drawing



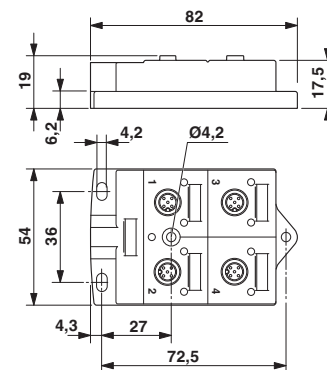
Signals of up to 4 safety door switches can be switched together directly in the field.

Wiring of the M12 contacts (open safety door)

Block diagram



Dimensional drawing



Block diagram

Sensor/actuator box - PSR-SACB-4/4-L- 5,0PUR-SD - 2981871

Classifications

eCl@ss

eCl@ss 10.0.1	27440108
eCl@ss 11.0	27440108
eCl@ss 4.0	40020600
eCl@ss 4.1	40020600
eCl@ss 5.0	27371900
eCl@ss 5.1	27250300
eCl@ss 6.0	27279200
eCl@ss 7.0	27279219
eCl@ss 9.0	27440108

ETIM

ETIM 2.0	EC000196
ETIM 3.0	EC001449
ETIM 4.0	EC000196
ETIM 6.0	EC002585
ETIM 7.0	EC002585

UNSPSC

UNSPSC 6.01	30211901
UNSPSC 7.0901	39121501
UNSPSC 11	39121501
UNSPSC 12.01	39121501
UNSPSC 13.2	31251501
UNSPSC 19.0	31251501
UNSPSC 20.0	31251501
UNSPSC 21.0	31251501

Approvals

Approvals

Approvals

UL Recognized / cUL Recognized / EAC / EAC / cULus Recognized

Ex Approvals

Sensor/actuator box - PSR-SACB-4/4-L- 5,0PUR-SD - 2981871

Approvals

Approval details

UL Recognized		http://database.ul.com/cgi-bin/XYV/template/LISEXT/1FRAME/index.htm	FILE E 140324
cUL Recognized		http://database.ul.com/cgi-bin/XYV/template/LISEXT/1FRAME/index.htm	FILE E 140324
EAC			EAC-Zulassung
EAC			RU C- DE.A*30.B.01082
cULus Recognized			