

# PLC-ATP BK - Separating plate



2966841

<https://www.phoenixcontact.com/us/products/2966841>

Please be informed that the data shown in this PDF document is generated from our online catalog. Please find the complete data in the user documentation. Our general terms of use for downloads are valid.



Separating plate, 2 mm thick, required at the start and end of a PLC terminal strip. Furthermore, it is used for: visual separation of groups, safe isolation of different voltages of neighboring PLC relays in acc. with DIN VDE 0106-101, isolation

## Product description

Separating plate, 2 mm thick, required at the start and end of a PLC terminal strip. It also serves for visual separation of groups, safe isolation of different voltages of neighboring PLC relays in acc. with DIN VDE 0106-101, separation of neighboring bridges with different potentials, separation of PLC relays with voltages >250 V, color: Black

## Commercial data

Item number	2966841
Packing unit	25 pc
Minimum order quantity	25 pc
Sales key	C461
Product key	CK6245
Catalog page	Page 426 (C-5-2019)
GTIN	4017918130664
Weight per piece (including packing)	15.724 g
Weight per piece (excluding packing)	12.151 g
Customs tariff number	85472000
Country of origin	DE

# PLC-ATP BK - Separating plate



2966841

<https://www.phoenixcontact.com/us/products/2966841>

## Technical data

### Product properties

Product type	Partition plate
Product family	PLC-INTERFACE

### Ambient conditions

Ambient temperature (storage/transport)	-40 °C ... 85 °C
---	------------------

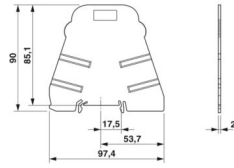
### Mounting

Mounting type	DIN rail mounting
---------------	-------------------

### Material specifications

Color	black (RAL 9005)
-------	------------------

### Dimensions

Dimensional drawing	
Width	2 mm
Height	97.4 mm
Depth	90 mm

### Environmental and real-life conditions

#### Ambient conditions

Ambient temperature (storage/transport)	-40 °C ... 85 °C
---	------------------

# PLC-ATP BK - Separating plate



2966841

<https://www.phoenixcontact.com/us/products/2966841>

## Classifications

### ECLASS

ECLASS-11.0	27371692
ECLASS-12.0	27371692
ECLASS-13.0	27371692

### ETIM

ETIM 9.0	EC002586
----------	----------

### UNSPSC

UNSPSC 21.0	39122300
-------------	----------

# PLC-ATP BK - Separating plate



2966841

<https://www.phoenixcontact.com/us/products/2966841>

## Environmental product compliance

China RoHS	Environmentally friendly use period: unlimited = EFUP-e
	No hazardous substances above threshold values

Phoenix Contact 2024 © - all rights reserved  
<https://www.phoenixcontact.com>

Phoenix Contact USA  
586 Fulling Mill Road  
Middletown, PA 17057, United States  
(+717) 944-1300  
[info@phoenixcon.com](mailto:info@phoenixcon.com)