

## Electronic housing - CM 62-LG/H 35/BO BK - 2944863

Please be informed that the data shown in this PDF Document is generated from our Online Catalog. Please find the complete data in the user's documentation. Our General Terms of Use for Downloads are valid (<http://phoenixcontact.com/download>)



Component housing, Complete housing, with vents, width: 62 mm, depth: 75 mm, color: black, cross connection: without bus connector, number of positions cross connector: not relevant


The figure shows versions CM 62-LG/H 35/BO and CM 90-LG/H 12,5 BO

### Your advantages

- ✓ Flexible accommodation of different connection elements (from high-position connectors to electronic PCBs)
- ✓ Rugged housing technology
- ✓ Easy snap-on mounting on symmetrical DIN rails according to EN 60715
- ✓ Shock and contamination-proof accommodation of electronic components



### Key Commercial Data

Packing unit	1 pc
Minimum order quantity	5 pc
GTIN	 4 017918 081720
GTIN	4017918081720
Weight per Piece (excluding packing)	108.180 g
Custom tariff number	85369010
Country of origin	Germany

### Technical data

#### Item properties

Brief article description	Electronic housing
Type	CM 62-LG/H 35/BO BK

## Electronic housing - CM 62-LG/H 35/BO BK - 2944863

### Technical data

#### Item properties

Order No.	2944863
Housing type	Component housing
Range of articles	CM LG
Type	Complete housing

#### Dimensions

Caption	Dimension A: 108 mm; dimension B: 75 mm; dimension C: 62 mm
Width [ w ]	62 mm
Depth [ d ]	75 mm

#### Material data

Housing material	Polycarbonate fiber reinforced
Color (RAL)	black
Flammability rating according to UL 94	V0

#### Ambient conditions

Ambient temperature (operation)	-40 °C ... 105 °C (depending on power dissipation)
---------------------------------	--

#### Packaging information

Pieces per package	5
Denomination packing units	Pcs.

#### Standards and regulations

Flammability rating according to UL 94	V0
--	----

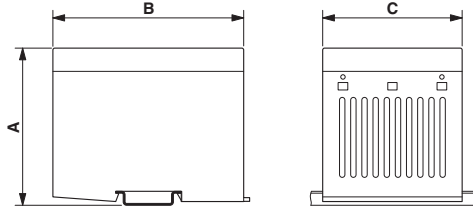
#### Environmental Product Compliance

China RoHS	Environmentally friendly use period: unlimited = EFUP-e
	No hazardous substances above threshold values

### Drawings

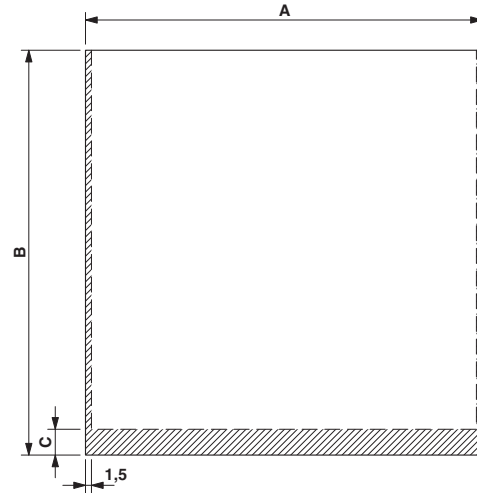
## Electronic housing - CM 62-LG/H 35/BO BK - 2944863

Dimensional drawing



Dimension A: 108 mm; dimension B: 75 mm; dimension C: 62 mm

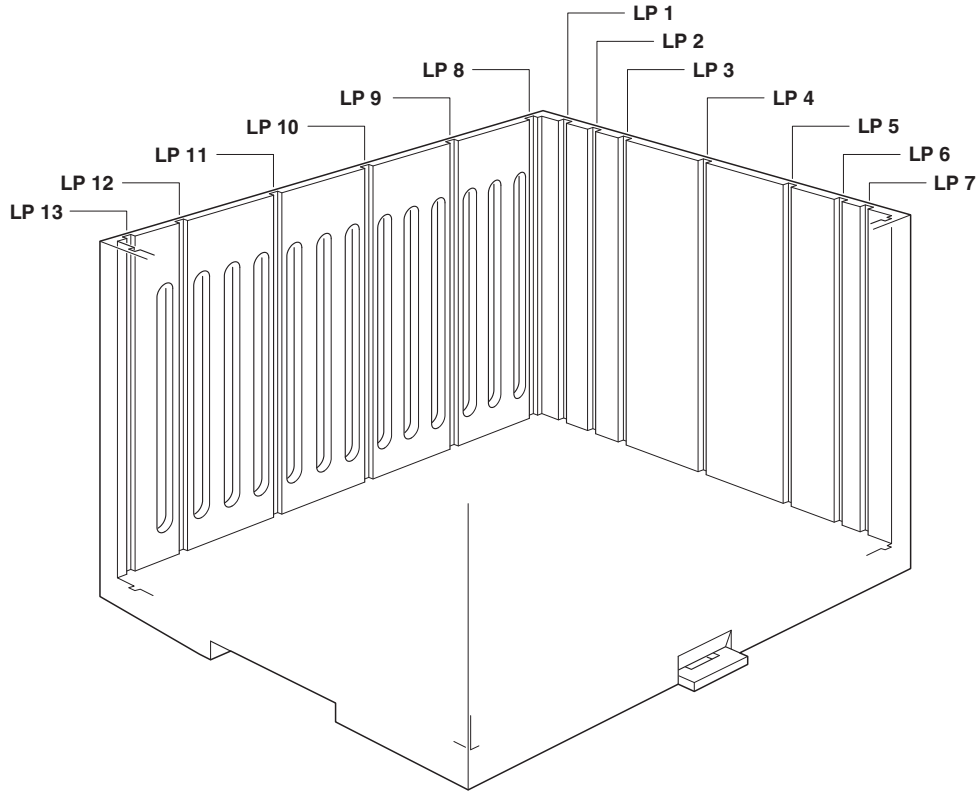
Dimensional drawing



PCB 1, 7: Dimension A: 72.5 mm; B: 96.0 mm; C: 0 mm  
PCB 8, 13: Dimension A: 60.0 mm; B: 96.0 mm; C: 0 mm

# Electronic housing - CM 62-LG/H 35/BO BK - 2944863

Schematic diagram



## Classifications

### eCl@ss

eCl@ss 10.0.1	27182702
eCl@ss 11.0	27182702
eCl@ss 4.0	27180400
eCl@ss 4.1	27180400
eCl@ss 5.0	27180500
eCl@ss 5.1	27180500
eCl@ss 6.0	27180800
eCl@ss 7.0	27182702
eCl@ss 9.0	27182702

### ETIM

ETIM 2.0	EC001031
ETIM 3.0	EC001031
ETIM 4.0	EC001031

## Electronic housing - CM 62-LG/H 35/BO BK - 2944863

### Classifications

#### ETIM

ETIM 6.0	EC001031
ETIM 7.0	EC001031

#### UNSPSC

UNSPSC 6.01	31261501
UNSPSC 7.0901	31261501
UNSPSC 11	31261501
UNSPSC 12.01	31261501
UNSPSC 13.2	31261501
UNSPSC 18.0	31261501
UNSPSC 19.0	31261501
UNSPSC 20.0	31261501
UNSPSC 21.0	31261501