

Electronic housing - CM125-LG/H 12,5/BO/DB BK - 2943055

Please be informed that the data shown in this PDF Document is generated from our Online Catalog. Please find the complete data in the user's documentation. Our General Terms of Use for Downloads are valid (<http://phoenixcontact.com/download>)



Component housing, Complete housing, with vents, width: 125 mm, depth: 102 mm, color: black, cross connection: without bus connector, number of positions cross connector: not relevant


The figure shows versions CM 125-LG/H 35/BO/DB/GH

Your advantages

- ✓ Rugged housing technology
- ✓ Flexible accommodation of different connection elements (from high-position connectors to electronic PCBs)
- ✓ Easy snap-on mounting on symmetrical DIN rails according to EN 60715
- ✓ Shock and contamination-proof accommodation of electronic components



Key Commercial Data

Packing unit	1 pc
Minimum order quantity	5 pc
GTIN	 4 017918 101039
GTIN	4017918101039
Weight per Piece (excluding packing)	310.260 g
Custom tariff number	85369010
Country of origin	Germany

Technical data

Item properties

Brief article description	Electronic housing
Type	CM125-LG/H 12,5/BO/DB BK
Order No.	2943055

Electronic housing - CM125-LG/H 12,5/BO/DB BK - 2943055

Technical data

Item properties

Housing type	Component housing
Range of articles	CM LG
Type	Complete housing

Dimensions

Caption	Dimension A: 115.5 mm; dimension B: 102 mm; dimension C: 125 mm
Width [w]	125 mm
Depth [d]	102 mm

Material data

Housing material	Polycarbonate fiber reinforced
Color (RAL)	black
Flammability rating according to UL 94	V0

Ambient conditions

Ambient temperature (operation)	-40 °C ... 105 °C (depending on power dissipation)
---------------------------------	--

Packaging information

Pieces per package	5
Denomination packing units	Pcs.

Standards and regulations

Flammability rating according to UL 94	V0
--	----

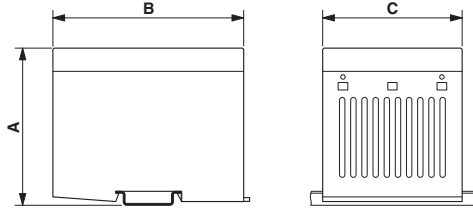
Environmental Product Compliance

China RoHS	Environmentally friendly use period: unlimited = EFUP-e
	No hazardous substances above threshold values

Drawings

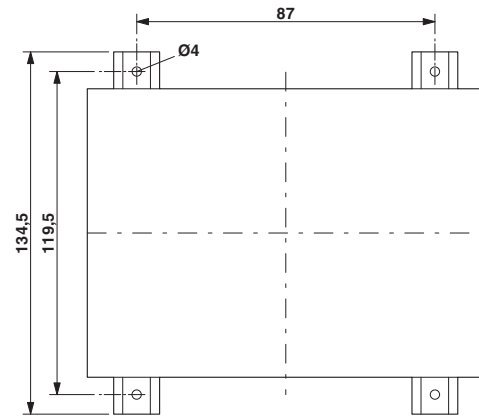
Electronic housing - CM125-LG/H 12,5/BO/DB BK - 2943055

Dimensional drawing

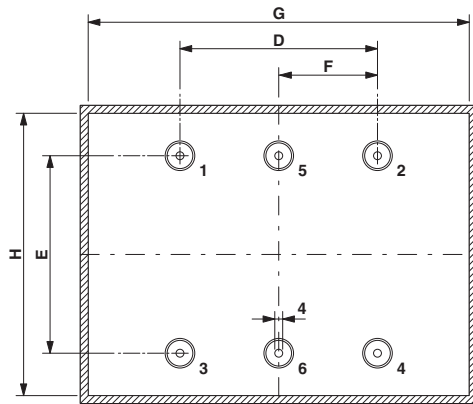


Dimension A: 115.5 mm; dimension B: 102 mm; dimension C: 125 mm

Dimensional drawing

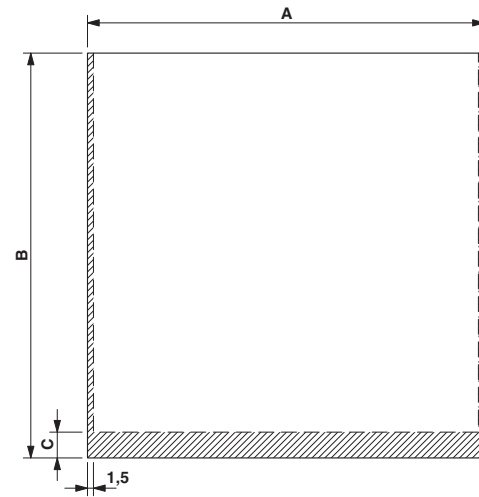


Dimensional drawing



Dimension D: 87.5 mm; E: 70.0 mm; G: 119.0 mm; H: 96.0 mm
 Spacer pins 1 - 4: Height 23 mm; ϕ 4 mm

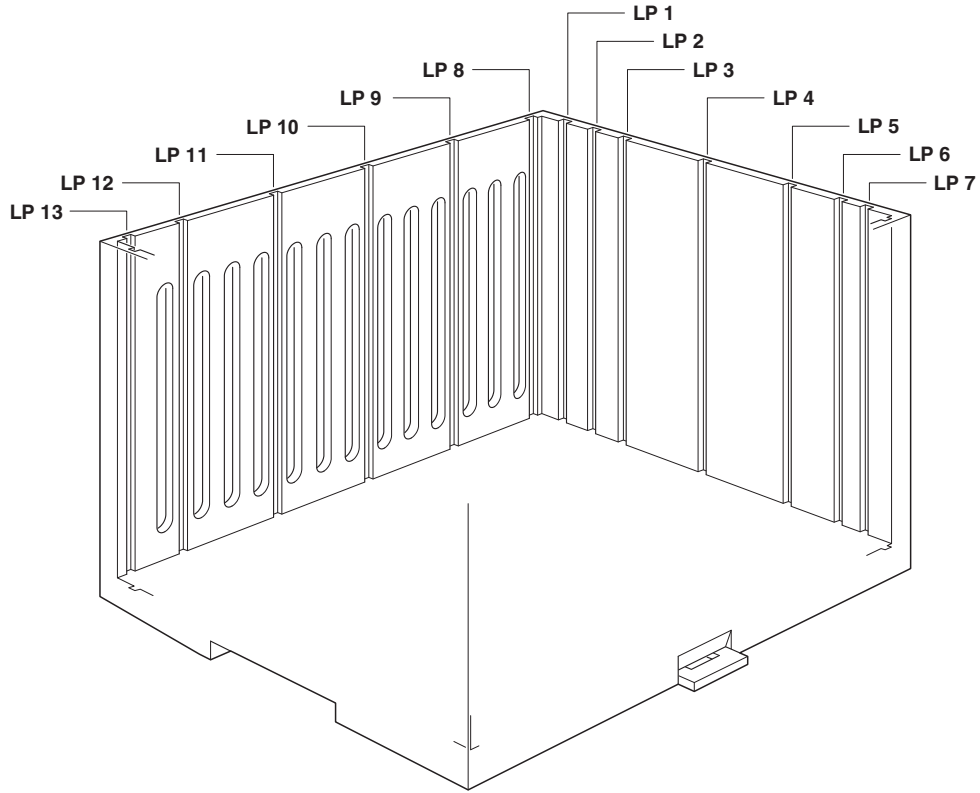
Dimensional drawing



PCB 1, 7: Dimension A: 122.5 mm; B: 102.0 mm; C: 0 mm
 PCB 8, 13: Dimension A: 100.0 mm; B: 102.0 mm; C: 6.5 mm
 PCB 9-12: Dimension A: 100.0 mm; B: 102.0 mm; C: 0 mm

Electronic housing - CM125-LG/H 12,5/BO/DB BK - 2943055

Schematic diagram



Classifications

eCl@ss

eCl@ss 10.0.1	27182702
eCl@ss 11.0	27182702
eCl@ss 4.0	27180400
eCl@ss 4.1	27180400
eCl@ss 5.0	27180500
eCl@ss 5.1	27180500
eCl@ss 6.0	27180800
eCl@ss 7.0	27182702
eCl@ss 9.0	27182702

ETIM

ETIM 2.0	EC001031
ETIM 3.0	EC001031
ETIM 4.0	EC001031

Electronic housing - CM125-LG/H 12,5/BO/DB BK - 2943055

Classifications

ETIM

ETIM 6.0	EC001031
ETIM 7.0	EC001031

UNSPSC

UNSPSC 6.01	31261501
UNSPSC 7.0901	31261501
UNSPSC 11	31261501
UNSPSC 12.01	31261501
UNSPSC 13.2	31261501
UNSPSC 18.0	31261501
UNSPSC 19.0	31261501
UNSPSC 20.0	31261501
UNSPSC 21.0	31261501

Approvals

Approvals

Approvals

EAC

Ex Approvals

Approval details

EAC		B.01742
-----	---	---------
