

# DT-UFB-485/BS - Surge protection device



2920612

<https://www.phoenixcontact.com/us/products/2920612>

Please be informed that the data shown in this PDF document is generated from our online catalog. Please find the complete data in the user documentation. Our general terms of use for downloads are valid.



9-pos. D-SUB attachment plug with surge protection for RS-485 interfaces. Can alternatively be snapped onto DIN rails.

## Your advantages

- Easy network integration via D-SUB connection
- No signal interference with adapted protective circuit
- Can be installed in a control cabinet by removing the ground connection adapter

## Commercial data

Item number	2920612
Packing unit	1 pc
Minimum order quantity	1 pc
Sales key	CL24
Product key	CL3112
Catalog page	Page 173 (C-4-2019)
GTIN	4046356155120
Weight per piece (including packing)	333.9 g
Weight per piece (excluding packing)	305.2 g
Customs tariff number	85363010
Country of origin	DE

# DT-UFB-485/BS - Surge protection device



2920612

<https://www.phoenixcontact.com/us/products/2920612>

## Technical data

### Product properties

IEC test classification	B2
	C1
	C2
	C3
	D1
VDE requirement class	B2
	C1
	C2
	C3
	D1
Type	Attachment plug for DIN rail mounting
Product type	Surge protection for information technology
Product family	DATATRAB
Number of positions	5
Wire pairs per module	2

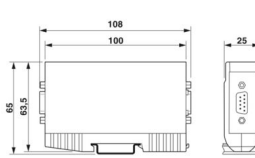
### Insulation characteristics

Overvoltage category	II
----------------------	----

### Connection data

Connection method	D-SUB-9
-------------------	---------

### Dimensions

Dimensional drawing	
Width	25 mm
Height	108 mm
Depth	63 mm

### Material specifications

Color	Silver
	black (RAL 9005)
Housing material	Zinc die-cast

### Mechanical properties

#### Mechanical data

# DT-UFB-485/BS - Surge protection device



2920612

<https://www.phoenixcontact.com/us/products/2920612>

Open side panel	No
-----------------	----

## Protective circuit

Direction of action	Line-Line & Line-Ground/Shield
Maximum continuous voltage $U_C$	12 V DC
Rated current	$\leq 380$ mA (25 °C)
Operating effective current $I_C$ at $U_C$	$\leq 1$ $\mu$ A
Residual current $I_{PE}$	$\leq 5$ $\mu$ A
Nominal discharge current $I_n$ (8/20) $\mu$ s (line-line)	$\leq 5$ kA
Nominal discharge current $I_n$ (8/20) $\mu$ s (line-ground)	$\leq 5$ kA
Total discharge current $I_{total}$ (8/20) $\mu$ s	10 kA
Output voltage limitation at 1 kV/ $\mu$ s (line-earth) spike	$\leq 700$ V
Output voltage limitation at 1 kV/ $\mu$ s (line-line) static	$\leq 25$ V
Output voltage limitation at 1 kV/ $\mu$ s (line-earth) static	$\leq 700$ V
Output voltage limitation at 1 kV/ $\mu$ s (line-signalground) static	$\leq 25$ V
Residual voltage at $I_n$ (conductor-conductor)	$\leq 25$ V
Residual voltage at $I_n$ (conductor-ground)	$\leq 55$ V
Residual voltage at $I_n$ (line-signalground)	$\leq 25$ V
Voltage protection level $U_p$ (line-line)	$\leq 30$ V (B2 - 100 A)
	$\leq 30$ V (C1 - 500 A)
	$\leq 40$ V (C2 - 5 kA)
Voltage protection level $U_p$ (line-earth)	$\leq 700$ V (B2 - 100 A)
	$\leq 700$ V (C1 - 500 A)
	$\leq 750$ V (C2 - 5 kA)
Response time $t_A$ (line-line)	$\leq 100$ ns
Response time $t_A$ (line-earth)	$\leq 100$ ns
Input attenuation aE, sym.	typ. 0.3 dB ( $\leq 30$ MHz)
	typ. 0.3 dB ( $\leq 7$ MHz / 150 $\Omega$ )
	typ. 0.3 dB ( $\leq 2$ MHz / 600 $\Omega$ )
Cut-off frequency $f_g$ (3 dB), sym. in 100 $\Omega$ system	typ. 50 MHz
Resistance per path	3.3 $\Omega$ 10 %
Surge protection fault message	none
Impulse durability (line-line)	C1 - 1 kV / 500 A
	C2 - 10 kV / 5 kA
	B2 - 4 kV / 100 A
Impulse durability (line-earth)	B2 - 4 kV / 100 A
	C1 - 1 kV / 500 A
	C2 - 10 kV / 5 kA
	D1 - 1 kA

## Environmental and real-life conditions

### Ambient conditions

Degree of protection	IP20
Ambient temperature (operation)	-40 °C ... 85 °C

# DT-UFB-485/BS - Surge protection device



2920612

<https://www.phoenixcontact.com/us/products/2920612>

## Standards and regulations

VDE requirement class	B2
	C1
	C2
	C3
	D1

## Air clearances and creepage distances

Standards/regulations	IEC 60664-1 / VDE 0110-1
-----------------------	--------------------------

## Standards Information technology specification

Standards/regulations	IEC 61643-21
	DIN EN 61643-21
	IEC 61643-21
	DIN EN 61643-21
Standards/specifications	DIN EN 61643-21
Note	2002

## Mounting

Mounting type	Connection-specific attachment plug and DIN rail, 35 mm
---------------	---

# DT-UFB-485/BS - Surge protection device



2920612

<https://www.phoenixcontact.com/us/products/2920612>

## Classifications

### ECLASS

ECLASS-11.0	27130807
ECLASS-13.0	27171503

### ETIM

ETIM 9.0	EC001466
----------	----------

### UNSPSC

UNSPSC 21.0	39121600
-------------	----------

# DT-UFB-485/BS - Surge protection device



2920612

<https://www.phoenixcontact.com/us/products/2920612>

## Environmental product compliance

REACH SVHC	Lead 7439-92-1
China RoHS	Environmentally Friendly Use Period = 50 years
	For information on hazardous substances, refer to the manufacturer's declaration available under "Downloads"

Phoenix Contact 2024 © - all rights reserved  
<https://www.phoenixcontact.com>

Phoenix Contact USA  
586 Fulling Mill Road  
Middletown, PA 17057, United States  
(+717) 944-1300  
[info@phoenixcon.com](mailto:info@phoenixcon.com)