

Module carrier - TC-2D37SUB-DO16-F&G-AR-UNI - 2902914

Please be informed that the data shown in this PDF Document is generated from our Online Catalog. Please find the complete data in the user's documentation. Our General Terms of Use for Downloads are valid (<http://phoenixcontact.com/download>)



Universal Termination Carrier for redundantly connecting 16 PSR-ETP modules to digital output cards, via two D-SUB connectors, 37-pos. (1:1 connection). Solution for Fire & Gas (F&G) applications

Your advantages

- ✓ Mechanically decoupled, passive PCB
- ✓ Robust aluminum profile with integrated DIN rail
- ✓ Side parts with integrated end clamps
- ✓ Redundant D-SUB pin strip system connection, 37-pos. (1:1 connection)
- ✓ Simple or redundant supply, decoupled from diode, protected against polarity reversal
- ✓ Error message in the event of power supply failure or fuse fault
- ✓ Relay output (N/O contact, floating) and flashing LED for error message
- ✓ Undervoltage monitoring at input at < 18 V DC
- ✓ Suitable for safe state on applications
- ✓ Cable sets for signal connection are not supplied as standard and must be ordered separately



Key Commercial Data

Packing unit	1 pc
GTIN	 4 046356 703710
GTIN	4046356703710
Custom tariff number	85369010
Country of origin	Germany

Technical data

Note

Module carrier - TC-2D37SUB-DO16-F&G-AR-UNI - 2902914

Technical data

Note

Utilization restriction	EMC: class A product, see manufacturer's declaration in the download area
-------------------------	---

Dimensions

Width	304 mm
Height	170 mm
Depth	160 mm

Ambient conditions

Ambient temperature (operation)	-20 °C ... 60 °C
Ambient temperature (storage/transport)	-40 °C ... 80 °C
Maximum altitude	≤ 2000 m
Permissible humidity (operation)	5 % ... 95 % (non-condensing)
Degree of protection	IP00
Shock	15g, according to IEC 60068-2-27
Vibration (operation)	2g, according to IEC 60068-2-6

General

Nominal voltage U_N	< 50 V DC (Per signal/channel)
Max. permissible current	1 A (Signal/channel)

Supply

Designation	Device supply
Input voltage range	21.1 V DC ... 26.4 V DC
Input current	≤ 2 A
Redundant supply	yes, decoupled from diodes
Polarization and surge protection	Yes
Output name	Switching output
Contact type	1 N/C contact (alarm = open)
Fuse	2.5 A on PCB, slow-blow (replaceable)
Status display	2 x red LED (error)
	2x green LEDs (PWR1 and PWR2)

Connection data

Connection name	Power supply
Connection method	Screw connection
Stripping length	7 mm
Number of connections	1
Number of positions	6
Conductor cross section solid	0.14 mm ² ... 2.5 mm ²

Module carrier - TC-2D37SUB-DO16-F&G-AR-UNI - 2902914

Technical data

Connection data

Conductor cross section flexible	0.14 mm ² ... 2.5 mm ²
Conductor cross section AWG	24 ... 12

Connection data 2

Connection name	Controller level
Connection method	D-SUB pin strip
Number of connections	2
Number of positions	37

Standards and Regulations

Designation	Air clearances and creepage distances
Standards/regulations	DIN EN 50178
Rated insulation voltage	50 V
Rated surge voltage	0.5 kV
Insulation	Basic insulation
Shock	15g, according to IEC 60068-2-27
Vibration (operation)	2g, according to IEC 60068-2-6
UL, USA/Canada	UL 61010 Listed
	Class I, Div. 2, Groups A, B, C, D T4
	Class I, Zone 2, Group IIC

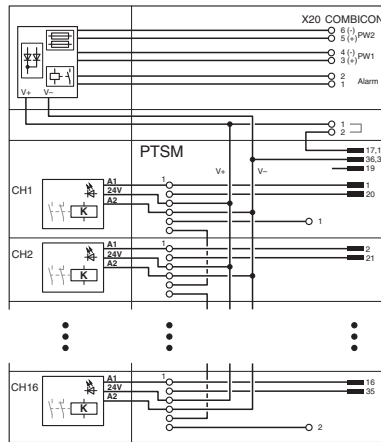
Environmental Product Compliance

REACH SVHC	Lead 7439-92-1
China RoHS	Environmentally Friendly Use Period = 50 years
	For details about hazardous substances go to tab "Downloads", Category "Manufacturer's declaration"

Drawings

Module carrier - TC-2D37SUB-DO16-F&G-AR-UNI - 2902914

Circuit diagram



Connection scheme TC-2D37SUB-DO16-F&G-AR-UNI

Classifications

eCl@ss

eCl@ss 10.0.1	27141152
eCl@ss 11.0	27141152
eCl@ss 4.0	40020600
eCl@ss 4.1	40020600
eCl@ss 5.0	27371900
eCl@ss 5.1	27371900
eCl@ss 6.0	27371800
eCl@ss 7.0	27141152
eCl@ss 9.0	27141152

ETIM

ETIM 4.0	EC002780
ETIM 6.0	EC002780
ETIM 7.0	EC002780

UNSPSC

UNSPSC 6.01	30211901
UNSPSC 7.0901	39121501
UNSPSC 11	39121501
UNSPSC 12.01	39121501
UNSPSC 13.2	39121432
UNSPSC 18.0	39121432

Module carrier - TC-2D37SUB-DO16-F&G-AR-UNI - 2902914

Classifications

UNSPSC

UNSPSC 19.0	39121432
UNSPSC 20.0	39121432
UNSPSC 21.0	39121432

Approvals

Approvals

Approvals


EAC / UL Listed / cUL Listed / cULus Listed


Ex Approvals


UL Listed / cUL Listed / cULus Listed

Approval details

EAC		RU C-DE.A*30.B.01742
-----	---	----------------------

UL Listed		http://database.ul.com/cgi-bin/XYV/template/LISEXT/1FRAME/index.htm	FILE E 330267
Nominal voltage UN		50 V	
Nominal current IN		1 A	

cUL Listed		http://database.ul.com/cgi-bin/XYV/template/LISEXT/1FRAME/index.htm	FILE E 330267
Nominal voltage UN		50 V	
Nominal current IN		1 A	

cULus Listed	
--------------	---

