

## Adapter - EM SWD-ADAPTER - 2902776


Please be informed that the data shown in this PDF Document is generated from our Online Catalog. Please find the complete data in the user's documentation. Our General Terms of Use for Downloads are valid (<http://phoenixcontact.com/download>)



SmartWire DT™ adapter for CONTACTRON hybrid motor starters, with "Enable" input for safe shutdown up to PLe/SIL 3.



### Key Commercial Data

Packing unit	1 pc
GTIN	 4 046356 701037
GTIN	4046356701037
Weight per Piece (excluding packing)	120.000 g
Custom tariff number	85366990
Country of origin	Germany

### Technical data

#### Dimensions

Width	22.5 mm
Height	165 mm
Depth	114.5 mm

#### General

Color	green
Degree of protection	IP20

#### Standards and Regulations

Standards/regulations	IEC 60947-1
	EN 60947-1
Pollution degree	2

# Adapter - EM SWD-ADAPTER - 2902776

## Technical data

### Standards and Regulations

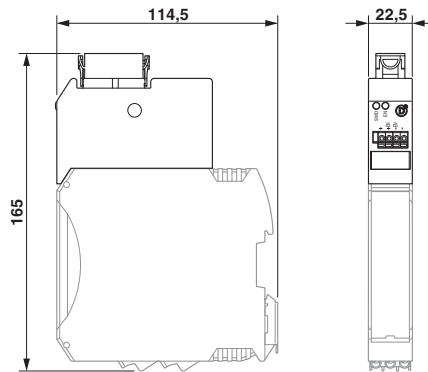
Overvoltage category	III
----------------------	-----

### Environmental Product Compliance

REACH SVHC	Lead 7439-92-1
China RoHS	Environmentally Friendly Use Period = 50 years
	For details about hazardous substances go to tab "Downloads", Category "Manufacturer's declaration"

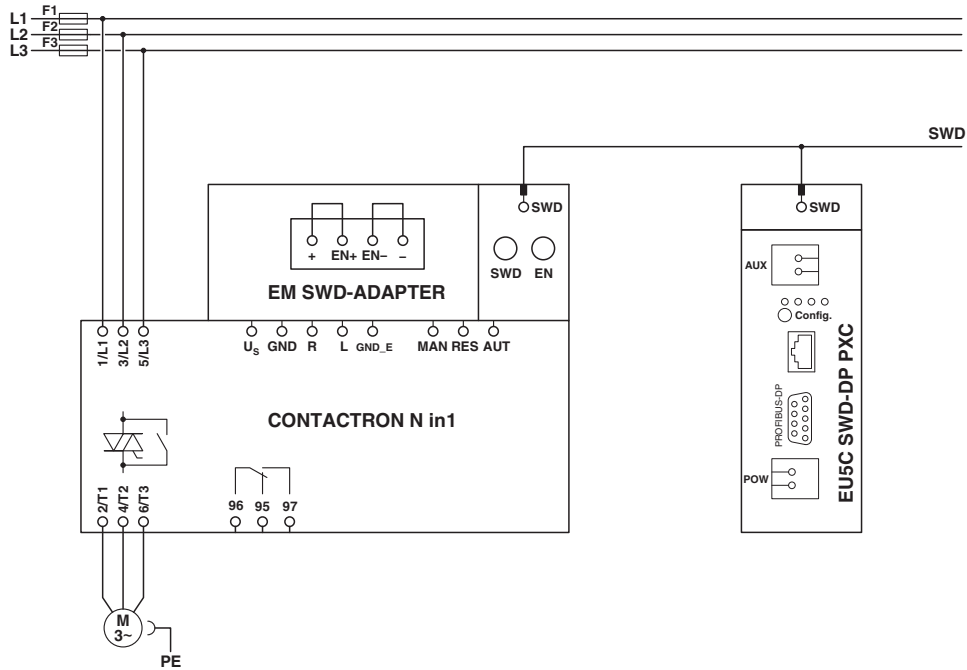
## Drawings

Dimensional drawing



# Adapter - EM SWD-ADAPTER - 2902776

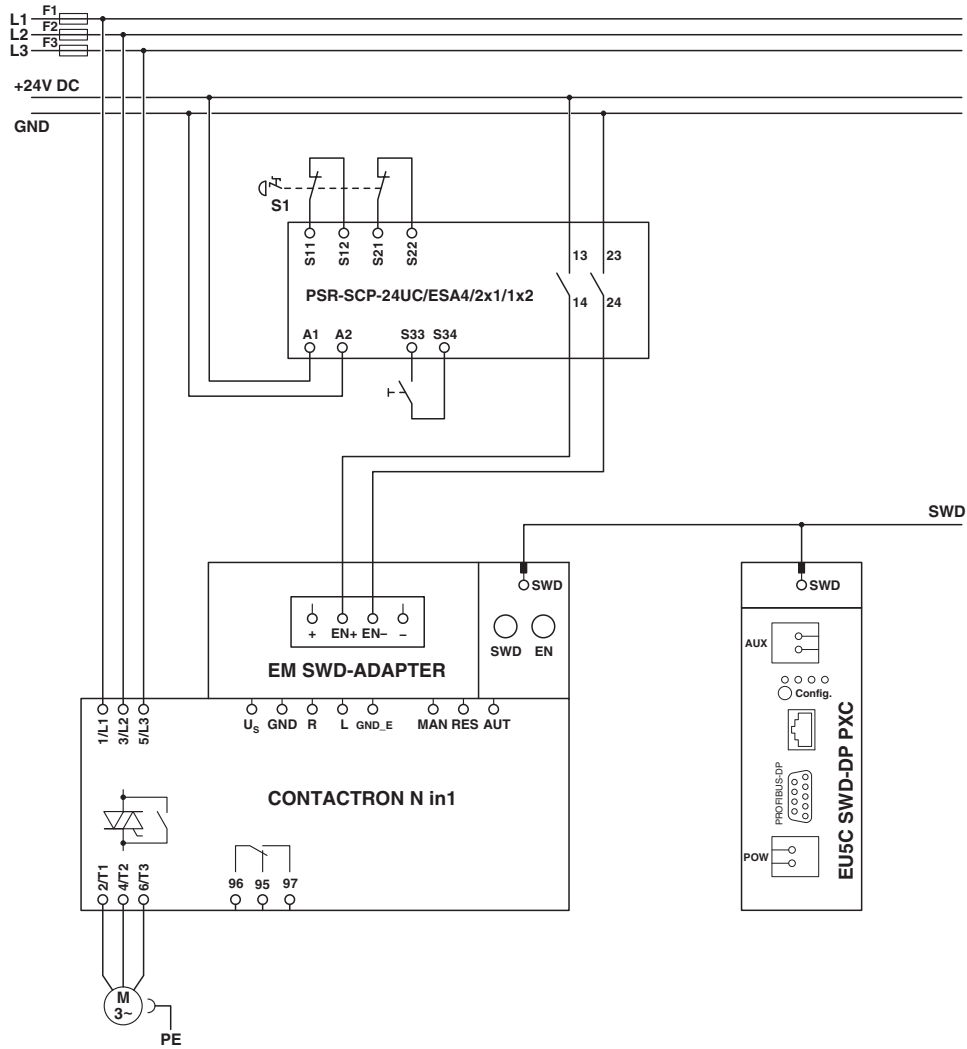
Circuit diagram



Wiring example without EMERGENCY STOP

# Adapter - EM SWD-ADAPTER - 2902776

Circuit diagram



EMERGENCY STOP wiring example (two-channel)

## Classifications

eCl@ss

eCl@ss 10.0.1	27371392
eCl@ss 11.0	27371392
eCl@ss 4.0	27378000
eCl@ss 4.1	27378000
eCl@ss 5.0	27379100
eCl@ss 5.1	27379100

# Adapter - EM SWD-ADAPTER - 2902776

## Classifications

### eCl@ss

eCl@ss 6.0	27379200
eCl@ss 7.0	27379201
eCl@ss 9.0	27379201

### ETIM

ETIM 4.0	EC002498
ETIM 6.0	EC002498
ETIM 7.0	EC002498

### UNSPSC

UNSPSC 6.01	30211915
UNSPSC 7.0901	39121514
UNSPSC 11	39121514
UNSPSC 12.01	39121514
UNSPSC 13.2	39121421
UNSPSC 18.0	39121421
UNSPSC 19.0	39121421
UNSPSC 20.0	39121421
UNSPSC 21.0	39121421

## Approvals

### Approvals

#### Approvals

UL Listed / cUL Listed / EAC / cULus Listed

#### Ex Approvals

### Approval details


UL Listed		<a href="http://database.ul.com/cgi-bin/XYV/template/LISEXT/1FRAME/index.htm">http://database.ul.com/cgi-bin/XYV/template/LISEXT/1FRAME/index.htm</a>	FILE E 228652
-----------	--	---	---------------

## Adapter - EM SWD-ADAPTER - 2902776

### Approvals

cUL Listed		<a href="http://database.ul.com/cgi-bin/XYVV/template/LISEXT/1FRAME/index.htm">http://database.ul.com/cgi-bin/XYVV/template/LISEXT/1FRAME/index.htm</a>	FILE E 228652
------------	---	---	---------------

EAC			RU C- DE.A*30.B.01742
-----	---	--	--------------------------

cULus Listed			
--------------	---	--	--