

SUBCON-PLUS-PROFIB/35/PG/M12 - D-SUB bus connector



2902319

<https://www.phoenixcontact.com/us/products/2902319>

Please be informed that the data shown in this PDF document is generated from our online catalog. Please find the complete data in the user documentation. Our general terms of use for downloads are valid.

D-SUB plug, 9-pos., pin, with PG-D-SUB socket, assignment: 3, 5, 6, 8; two 35° cable entries M12 (B-coded). Bus system: PROFIBUS DP up to 12 Mbps. Termination resistor via separate M12 terminator.



Product description

The SUBCON-PLUS fast connectors with M12 connection ensure error-free installation of bus systems, thanks to the use of fully-tested components such as cables and connectors. The innovative housing concept is lightweight yet offers optimum mechanical protection against environmental influences. This means that the fast connection plugs are ideal, even in applications subject to vibration. The unique SPEEDCON fast locking system on the M12 connections offers reliable connection with just half a turn.

Your advantages

- Easy startup, plug and play
- Error-free installation, particularly in standard machine production
- Quick connection thanks to M12-SPEEDCON fast locking system
- Low weight
- PROFIBUS
- Termination using M12 termination resistor
- Version with programming connection
- Adapter between IP20 and IP67 environments
- Through-contacted shielding from M12 to D-SUB

Commercial data

Item number	2902319
Packing unit	1 pc
Minimum order quantity	1 pc
Sales key	DN10
Product key	DNC531
Catalog page	Page 445 (C-6-2019)
GTIN	4046356654999
Weight per piece (including packing)	73.1 g
Weight per piece (excluding packing)	73.1 g
Customs tariff number	85366990
Country of origin	CN

SUBCON-PLUS-PROFIB/35/PG/M12 - D-SUB bus connector



2902319

<https://www.phoenixcontact.com/us/products/2902319>

Technical data

Product properties

Product type	Data plug
MTTF	6706 Years (SN 29500 standard, temperature 25°C, operating cycle 21%)
	1817 Years (SN 29500 standard, temperature 40°C, operating cycle 34.25%)
	155 Years (SN 29500 standard, temperature 40°C, operating cycle 100%)
Pin assignment	3, 5, 6, 8

Electrical properties

Nominal voltage U_N	5 V
Nominal current I_N	100 mA

Connection data

D-SUB connection

Connection method	D-SUB connector
-------------------	-----------------

Programming connection

Connection method	D-SUB socket
-------------------	--------------

M12 connector

Connection method	M12 male, B-coded
-------------------	-------------------

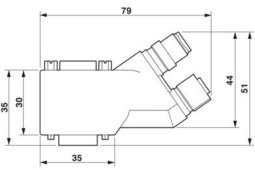
M12 connector

Connection method	M12 female, B-coded
-------------------	---------------------

Interfaces

Bus system	PROFIBUS DP
Signal	PROFIBUS

Dimensions

Dimensional drawing	
Width	16 mm
Height	46 mm
Length	79 mm

Material specifications

Material Housing	Polyamide
------------------	-----------

SUBCON-PLUS-PROFIB/35/PG/M12 - D-SUB bus connector



2902319

<https://www.phoenixcontact.com/us/products/2902319>

Environmental and real-life conditions

Ambient conditions

Degree of protection	IP40
Ambient temperature (operation)	-30 °C ... 80 °C
Ambient temperature (storage/transport)	-40 °C ... 85 °C
Ambient temperature (assembly)	-20 °C ... 80 °C
Altitude	≤ 5000 m (For restrictions, see the manufacturer's declaration for altitude operation)
Permissible humidity (operation)	10 % ... 95 % (non-condensing)
Permissible humidity (storage/transport)	5 % ... 95 % (non-condensing)

Standards and regulations

Free from substances that could impair the application of coating	in accordance with VW-AUDI-Seat central standard P-VW 3.10.7 57 65 0
---	--

SUBCON-PLUS-PROFIB/35/PG/M12 - D-SUB bus connector



2902319

<https://www.phoenixcontact.com/us/products/2902319>

Classifications

ECLASS

ECLASS-11.0	27440302
ECLASS-13.0	27440302
ECLASS-12.0	27440302

ETIM

ETIM 9.0	EC001132
----------	----------

UNSPSC

UNSPSC 21.0	39121400
-------------	----------

SUBCON-PLUS-PROFIB/35/PG/M12 - D-SUB bus connector



2902319

<https://www.phoenixcontact.com/us/products/2902319>

Environmental product compliance

REACH SVHC	Lead 7439-92-1
China RoHS	Environmentally Friendly Use Period = 50 years
	For information on hazardous substances, refer to the manufacturer's declaration available under "Downloads"

Phoenix Contact 2024 © - all rights reserved
<https://www.phoenixcontact.com>

Phoenix Contact USA
586 Fulling Mill Road
Middletown, PA 17057, United States
(+717) 944-1300
info@phoenixcon.com