

RAD-DI8-IFS - I/O extension module



2901539

<https://www.phoenixcontact.com/us/products/2901539>

Please be informed that the data shown in this PDF document is generated from our online catalog. Please find the complete data in the user documentation. Our general terms of use for downloads are valid.

Radioline - I/O extension module, 8 digital inputs (0 ... 30.5 V DC) or 2 pulse inputs up to 100 Hz



Your advantages

- Easy startup via thumbwheel
- Channel-to-channel electrical isolation
- Extended temperature range of -40 °C ... +70 °C
- Easy module replacement even during operation (hot swap)
- 8 digital inputs (0 V DC ... 30.5 V DC)
- 2 pulse inputs (0 ... 100 Hz)
- Approved for use in zone 2

Commercial data

Item number	2901539
Packing unit	1 pc
Minimum order quantity	1 pc
Sales key	DN26
Product key	DNC61D
Catalog page	Page 381 (C-6-2019)
GTIN	4046356609159
Weight per piece (including packing)	161.84 g
Weight per piece (excluding packing)	111.42 g
Customs tariff number	85177900
Country of origin	DE

RAD-DI8-IFS - I/O extension module

2901539

<https://www.phoenixcontact.com/us/products/2901539>



Set consists of

ME 17,5 TBUS 1,5/ 5-ST-3,81 KMGY - DIN rail bus connectors

2713645

<https://www.phoenixcontact.com/us/products/2713645>



DIN rail connector, color: light grey, nominal current: 8 A (parallel contacts), rated voltage (III/2): 125 V, number of positions: 5, pitch: 3.81 mm, mounting: DIN rail mounting, locking: without, mounting: without, type of packaging: packed in cardboard, Item with gold-plated contacts, bus connectors for connecting with electronics housings, 5 parallel contacts

RAD-DI8-IFS - I/O extension module



2901539

<https://www.phoenixcontact.com/us/products/2901539>

Technical data

Product properties

Product type	Extension module
MTTF	1624 Years (SN 29500 standard, temperature 25°C, operating cycle 21%)
	612 Years (SN 29500 standard, temperature 40°C, operating cycle 34.25%)
	233 Years (SN 29500 standard, temperature 40°C, operating cycle 100%)

Insulation characteristics

Overvoltage category	II
Degree of pollution	2

Electrical properties

Rated insulation voltage	60 V (In accordance with EN/IEC 60079-7)
Electrical isolation	50 V (Rated insulation voltage (in each case between channel groups 1...4 and 5...8 / TBUS supply, reinforced insulation in accordance with EN 61010))
	300 V (Rated insulation voltage (to adjacent devices, basic insulation in accordance with EN/IEC 61010))
Test voltage for digital I/Os	1.5 kV AC (50 Hz, 1 min.)
Maximum power dissipation for nominal condition	0.432 W
Transient surge protection	Yes

Supply

Supply voltage range	19.2 V DC ... 30.5 V DC (DIN rail connector)
Max. current consumption	≤ 18 mA (At 24 V DC, at 25°C)

Input data

Digital

Max. current consumption	< 1 mA
--------------------------	--------

Digital

Description of the input	Digital input
Number of inputs	8
Voltage input signal	0 V DC ... 30.5 V DC
Switching level "0" signal	0 V DC ... 4 V DC
Switching level "1" signal	10 V DC ... 30.5 V DC
Input frequency	≤ 10 Hz (Static mode)

Pulse

Number of channels	2
Switching level "1" signal	10 V DC ... 30.5 V DC
Switching level "0" signal	0 V DC ... 4 V DC

RAD-DI8-IFS - I/O extension module



2901539

<https://www.phoenixcontact.com/us/products/2901539>

Input frequency	< 100 Hz (Pulse counter mode)
Pulse length	≥ 5 ms (Pulse/pause ratio 1:1)
Process data channel	32 bit (per channel)

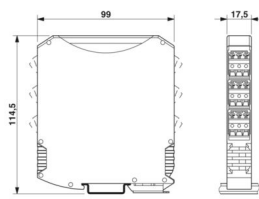
Connection data

Tightening torque	0.5 Nm ... 0.6 Nm 5 lb _f -in. ... 7 lb _f -in.
Connection method	Screw connection
Stripping length	7 mm
Conductor cross section, rigid min.	0.2 mm ²
Conductor cross section, rigid max.	2.5 mm ²
Conductor cross section flexible min.	0.2 mm ²
Conductor cross section flexible max.	2.5 mm ²
Conductor cross section AWG min.	24
Conductor cross section AWG max.	14

Signaling

Status display	Green LED (supply voltage, PWR)
	Green LED (bus communication, DAT)
	Red LED (periphery error, ERR)
	Green LED (counter mode, CNT)
	Yellow LED (digital input, DI1)
	Yellow LED (digital input, DI2)
	Yellow LED (digital input, DI3)
	Yellow LED (digital input, DI4)
	Yellow LED (digital input, DI5)
	Yellow LED (digital input, DI6)
	Yellow LED (digital input, DI7)
	Yellow LED (digital input, DI8)

Dimensions

Dimensional drawing	
Width	17.5 mm
Height	113 mm
Depth	114.5 mm

Material specifications

RAD-DI8-IFS - I/O extension module



2901539

<https://www.phoenixcontact.com/us/products/2901539>

Color	green
Material Housing	PA 6.6-FR
Flammability rating according to UL 94	V0

Environmental and real-life conditions

Ambient conditions

Degree of protection	IP20
Ambient temperature (operation)	-40 °C ... 70 °C -40 °F ... 158 °F
Ambient temperature (storage/transport)	-40 °C ... 85 °C -40 °F ... 185 °F
Altitude	2000 m
Permissible humidity (operation)	20 % ... 85 %
Permissible humidity (storage/transport)	20 % ... 85 %
Shock	16g, 11 ms
Vibration (operation)	in accordance with IEC 60068-2-6: 5g, 10 Hz ... 150 Hz

Approvals

CE

Certificate	CE-compliant
-------------	--------------

UKCA

Certificate	UKCA-compliant
-------------	----------------

ATEX

Identification	⊕ II 3 G Ex ec IIC T4 Gc
Certificate	IBExU 15 ATEX B008 X
Note	Please follow the special installation instructions in the documentation!

IECEX

Identification	Ex ec IIC T4 Gc
Certificate	IECEX IBE 13.0019X

EAC Ex

Identification	2Ex nA nC IIC T4 Gc X
Certificate	RU C-DE.HB49.B.00033/20

UL, USA/Canada

Identification	508 Listed Class I, Div. 2, Groups A, B, C, D T4A Class I, Zone 2, IIC T4
----------------	---

CCC / China-Ex

Identification	Ex ec IIC T4 Gc
Certificate	2022122310115625

RAD-DI8-IFS - I/O extension module



2901539

<https://www.phoenixcontact.com/us/products/2901539>

Corrosive gas test

Identification	ISA-S71.04-1985 G3 Harsh Group A
----------------	----------------------------------

EMC data

Noise immunity	EN 61000-6-2
Electromagnetic compatibility	Conformance with EMC Directive 2014/30/EU
Noise emission	EN 61000-6-4

Standards and regulations

Standard designation	EMC Directive 2014/30/EU
Standards/specifications	EN 61000-6-2
Standard designation	EMC Directive 2014/30/EU
Standards/specifications	EN 61000-6-4
Standard designation	Ex Directive (ATEX)
Standards/specifications	EN 60079-0
Standard designation	Ex Directive (ATEX)
Standards/specifications	EN 60079-15

Mounting

Mounting type	DIN rail mounting
Assembly instructions	on standard DIN rail NS 35 in accordance with EN 60715
Mounting position	any

RAD-DI8-IFS - I/O extension module



2901539

<https://www.phoenixcontact.com/us/products/2901539>

Classifications

ECLASS

ECLASS-11.0	27242604
ECLASS-12.0	27242604
ECLASS-13.0	27242604

ETIM

ETIM 8.0	EC001599
----------	----------

UNSPSC

UNSPSC 21.0	32151602
-------------	----------

RAD-DI8-IFS - I/O extension module



2901539

<https://www.phoenixcontact.com/us/products/2901539>

Environmental product compliance

China RoHS	Environmentally Friendly Use Period = 50 years For information on hazardous substances, refer to the manufacturer's declaration available under "Downloads"
------------	--

Phoenix Contact 2024 © - all rights reserved
<https://www.phoenixcontact.com>

Phoenix Contact USA
586 Fulling Mill Road
Middletown, PA 17057, United States
(+717) 944-1300
info@phoenixcon.com