

# BC 17,8 OT MKDSO KMGY - Upper housing part



2896092

<https://www.phoenixcontact.com/us/products/2896092>

Please be informed that the data shown in this PDF document is generated from our online catalog. Please find the complete data in the user documentation. Our general terms of use for downloads are valid.



DIN rail housing for use in distribution boards in accordance with DIN 43880, Upper housing part for PCB terminal blocks with screw connection, width: 17.8 mm, height: 89.7 mm, depth: 53.4 mm, color: light grey (similar RAL 7035)

## Your advantages

- Coordinated housing and connection system for faster device development
- Individual online configuration for diverse applications in building automation
- Variety of connection technology
- Can be mounted on the DIN rail or the wall
- With DIN-rail-mountable bus connector and power connector system as an option
- Tool-free mounting
- Available in overall widths from one to nine HP (17.8 mm ... 161.6 mm)
- Compliant with DIN EN 43880

## Commercial data

Item number	2896092
Packing unit	10 pc
Minimum order quantity	10 pc
Sales key	AC10
Product key	ACHBAB
Catalog page	Page 554 (CC-2009)
GTIN	4046356096515
Weight per piece (including packing)	14.21 g
Weight per piece (excluding packing)	10.35 g
Customs tariff number	84879090
Country of origin	DE

# BC 17,8 OT MKDSO KMGY - Upper housing part

2896092

<https://www.phoenixcontact.com/us/products/2896092>

## Technical data

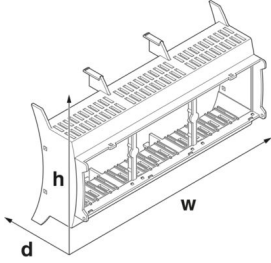
### Notes

General	Refer to the data sheet for the range in the download area.
---------	---

### Product properties

Product type	Upper housing part
Housing series	BC
Product family	BC OT MKDSO
Max. number of positions	12 (pitch: 5 mm)
Type	Upper housing part for PCB terminal blocks with screw connection
Housing type	DIN rail housing for use in distribution boards in accordance with DIN 43880
Ventilation openings present	no

### Dimensions

Dimensional drawing	
Width	17.8 mm
Height	89.7 mm
Depth	53.4 mm

### PCB design

PCB thickness	1.4 mm ... 1.5 mm
---------------	-------------------

### Material specifications

Color (Housing)	light grey (RAL 7035)
Flammability rating according to UL 94	V0
Surface characteristics	untreated
Housing material	Polycarbonate

### Environmental and real-life conditions

#### Vibration test

Specification	IEC 60068-2-6:2007-12
Frequency	10 - 150 - 10 Hz
Sweep speed	1 octave/min
Amplitude	0.15 mm (10 Hz ... 58.1 Hz)

# BC 17,8 OT MKDSO KMGY - Upper housing part



2896092

<https://www.phoenixcontact.com/us/products/2896092>

Acceleration	2g (58.1 Hz ... 150 Hz)
Test duration per axis	2.5 h
Test directions	X-, Y- and Z-axis

## Glow-wire test

Specification	IEC 60695-2-11:2014-02
Temperature	850 °C
Time of exposure	30 s

## Mechanical strength / tumbling barrel

Specification	IEC 60068-2-31:2008-05
Height of fall	50 cm
Frequency	50

## Shocks

Specification	IEC 60068-2-27:2008-02
Pulse shape	Half-sine
Acceleration	15g
Shock duration	11 ms
Number of shocks per direction	3
Test directions	X-, Y- and Z-axis (pos. and neg.)

## Degree of protection (IP code)

Specification	IEC 60529:1989-11 + AMD 1:1999-11 + AMD 2:2013-08
---------------	---

## Ambient conditions

Max. IP code to attain	IP20
Ambient temperature (operation)	-40 °C ... 105 °C (depending on power dissipation)
Ambient temperature (storage/transport)	-40 °C ... 70 °C
Ambient temperature (assembly)	-5 °C ... 100 °C
Relative humidity (storage/transport)	95 %

## PCB data

Number of PCB holders	2
Type of PCB mount	Latching
Thickness of the PCB	1.4 mm ... 1.5 mm

## Mounting

Mounting type	Snap in
Mounting position	Vertical (horizontal DIN rail)

## Packaging specifications

Type of packaging	packed in cardboard
Outer packaging type	Carton

# BC 17,8 OT MKDSO KMGY - Upper housing part



2896092

<https://www.phoenixcontact.com/us/products/2896092>

## Classifications

### ECLASS

ECLASS-11.0	27182702
ECLASS-13.0	27190603

### ETIM

ETIM 9.0	EC001031
----------	----------

### UNSPSC

UNSPSC 21.0	31261500
-------------	----------

# BC 17,8 OT MKDSO KMGY - Upper housing part



2896092

<https://www.phoenixcontact.com/us/products/2896092>

## Environmental product compliance

China RoHS	Environmentally friendly use period: unlimited = EFUP-e
	No hazardous substances above threshold values

Phoenix Contact 2024 © - all rights reserved  
<https://www.phoenixcontact.com>

Phoenix Contact USA  
586 Fulling Mill Road  
Middletown, PA 17057, United States  
(+717) 944-1300  
[info@phoenixcon.com](mailto:info@phoenixcon.com)