

PT 2-TELE - Surge protection device



2882828

<https://www.phoenixcontact.com/us/products/2882828>

Please be informed that the data shown in this PDF document is generated from our online catalog. Please find the complete data in the user documentation. Our general terms of use for downloads are valid.



Surge protective device, consisting of plug and base element, for protecting a double wire from analog and digital telecommunications interfaces (VDSL up to 50 Mbps, on short paths (< 300 m) up to 100 Mbps).

Product description

Surge protection plug for DIN rail mounting, 2-section pluggable, normal mode voltage coarse and fine protection for 2-conductor analog telecommunication interface as well as common mode voltage coarse protection to ground.

Your advantages

- Easy testing and documentation with CHECKMASTER 2 with pluggable protective modules
- Maximum ease of maintenance, thanks to the 2-piece design
- Easy selection for all possible demands in MCR applications with a complete product portfolio

Commercial data

| | |
|--------------------------------------|---------------------|
| Item number | 2882828 |
| Packing unit | 10 pc |
| Minimum order quantity | 10 pc |
| Sales key | CL03 |
| Product key | CL3121 |
| Catalog page | Page 188 (C-4-2019) |
| GTIN | 4046356115148 |
| Weight per piece (including packing) | 74 g |
| Weight per piece (excluding packing) | 60.035 g |
| Customs tariff number | 85363010 |
| Country of origin | DE |

PT 2-TELE - Surge protection device

2882828

<https://www.phoenixcontact.com/us/products/2882828>

Technical data

Product properties

| | |
|--------------------------------|---|
| IEC test classification | B2 |
| | C1 |
| | C2 |
| | C3 |
| | D1 |
| Type | DIN rail module, two-section, divisible |
| Product type | Surge protection for information technology |
| Product family | PLUGTRAB PT |
| Number of positions | 2 |
| Surge protection fault message | none |
| Wire pairs per module | 1 |

Insulation characteristics

| | |
|----------------------|-----|
| Overvoltage category | III |
| Pollution degree | 2 |

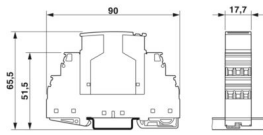
Electrical properties

| | |
|-----------------------|----------|
| Nominal voltage U_N | 185 V DC |
| | 130 V AC |

Connection data

| | |
|----------------------------------|---|
| Connection method | Screw connection |
| Screw thread | M3 |
| Tightening torque | 0.5 Nm |
| Conductor cross section flexible | 0.2 mm ² ... 2.5 mm ² |
| Conductor cross section rigid | 0.2 mm ² ... 4 mm ² |
| Conductor cross section AWG | 24 ... 12 |

Dimensions

| | |
|---------------------|--|
| Dimensional drawing |  |
| Width | 17.7 mm |
| Height | 90 mm |
| Depth | 65.5 mm |
| Horizontal pitch | 1 Div. |

Material specifications

| | |
|-------|------------------|
| Color | black (RAL 9005) |
|-------|------------------|

PT 2-TELE - Surge protection device



2882828

<https://www.phoenixcontact.com/us/products/2882828>

| | |
|--|------------------|
| | black (RAL 9005) |
| Flammability rating according to UL 94 | V-0 |
| Housing material | PA 6.6 |

Mechanical properties

Mechanical data

| | |
|-----------------|----|
| Open side panel | No |
|-----------------|----|

Protective circuit

| | |
|--|--|
| Direction of action | Line-Line & Line-Earth Ground |
| Maximum continuous voltage U_C | 185 V DC |
| | 130 V AC |
| Rated current | 450 mA AC (45 °C) |
| | 130 mA DC (45 °C) |
| Operating effective current I_C at U_C | $\leq 10 \mu\text{A}$ |
| Residual current I_{PE} | $\leq 10 \mu\text{A}$ |
| Nominal discharge current I_n (8/20) μs (line-line) | 10 kA |
| Nominal discharge current I_n (8/20) μs (line-ground) | 10 kA |
| Pulse discharge current I_{imp} (10/350) μs (line-line) | 1 kA |
| Pulse discharge current I_{imp} (10/350) μs (line-earth) | 1 kA |
| Total discharge current I_{total} (8/20) μs | 18 kA |
| Max. discharge current I_{max} (8/20) μs maximum (line-earth) | 18 kA |
| Nominal pulse current I_{an} (10/700) μs (line-line) | 100 A |
| Nominal pulse current I_{an} (10/700) μs (line-earth) | 100 A |
| Output voltage limitation at 1 kV/ μs (line-line) spike | $\leq 300 \text{ V}$ |
| Output voltage limitation at 1 kV/ μs (line-earth) spike | $\leq 300 \text{ V}$ |
| Output voltage limitation at 1 kV/ μs (line-line) static | $\leq 300 \text{ V}$ |
| Output voltage limitation at 1 kV/ μs (line-earth) static | $\leq 300 \text{ V}$ |
| Residual voltage at I_n (conductor-conductor) | $\leq 160 \text{ V}$ (C2 - 10 kV / 5 kA) |
| Residual voltage at I_n (conductor-ground) | $\leq 200 \text{ V}$ (C2 - 10 kV / 5 kA) |
| Voltage protection level U_p (line-line) | $\leq 250 \text{ V}$ (B2 - 1 kV / 25 A) |
| | $\leq 300 \text{ V}$ (B2 - 4 kV / 100 A) |
| | $\leq 270 \text{ V}$ (C1 - 1 kV / 500 A) |
| | $\leq 300 \text{ V}$ (C2 - 2 kV/1 kA) |
| | $\leq 320 \text{ V}$ (C2 - 4 kV / 2 kA) |
| | $\leq 330 \text{ V}$ (C2 - 10 kV / 5 kA) |
| Voltage protection level U_p (line-earth) | $\leq 250 \text{ V}$ (B2 - 1 kV / 25 A) |
| | $\leq 300 \text{ V}$ (B2 - 4 kV / 100 A) |
| | $\leq 270 \text{ V}$ (C1 - 1 kV / 500 A) |
| | $\leq 300 \text{ V}$ (C2 - 2 kV/1 kA) |
| | $\leq 320 \text{ V}$ (C2 - 4 kV / 2 kA) |
| | $\leq 330 \text{ V}$ (C2 - 10 kV / 5 kA) |
| Response time t_A (line-line) | $\leq 500 \text{ ns}$ |
| Response time t_A (line-earth) | $\leq 500 \text{ ns}$ |

PT 2-TELE - Surge protection device



2882828

<https://www.phoenixcontact.com/us/products/2882828>

| | |
|--|---|
| Input attenuation aE, sym. | typ. 0.4 dB (≤ 5 MHz / 100 Ω) |
| Cut-off frequency f _g (3 dB), sym. in 100 Ω system | typ. 20 MHz |
| Capacity (Core-Core) | typ. 30 pF (f=1 MHz / V _R = 0 V) |
| Capacity (Core-Earth) | typ. 30 pF (f=1 MHz / V _R = 0 V) |
| Resistance per path | 2.2 $\Omega \pm 10$ % |
| Surge protection fault message | none |
| Impulse durability (line-line) | B2 - 4 kV / 100 A |
| | C1 - 1 kV / 500 A |
| | C2 - 10 kV / 5 kA |
| | C3 - 25 A |
| | D1 - 1 kA |
| Impulse durability (line-earth) | B2 - 4 kV / 100 A |
| | C1 - 1 kV / 500 A |
| | C2 - 10 kV / 5 kA |
| | C3 - 25 A |
| | D1 - 1 kA |

Environmental and real-life conditions

Ambient conditions

| | |
|---|----------------------|
| Degree of protection | IP20 |
| Ambient temperature (operation) | -40 °C ... 85 °C |
| Ambient temperature (storage/transport) | -40 °C ... 85 °C |
| Altitude | ≤ 2000 m (amsl) |

Standards and regulations

| | |
|--------------------------|--------------|
| Standards/specifications | IEC 61643-21 |
| Note | 2000 |
| Standards/specifications | EN 61643-21 |
| Note | 2002 |

Mounting

| | |
|---------------|-----------------|
| Mounting type | DIN rail: 35 mm |
|---------------|-----------------|

PT 2-TELE - Surge protection device



2882828

<https://www.phoenixcontact.com/us/products/2882828>

Classifications

ECLASS

| | |
|-------------|----------|
| ECLASS-11.0 | 27130807 |
| ECLASS-13.0 | 27171503 |

ETIM

| | |
|----------|----------|
| ETIM 9.0 | EC001466 |
|----------|----------|

UNSPSC

| | |
|-------------|----------|
| UNSPSC 21.0 | 39121600 |
|-------------|----------|

PT 2-TELE - Surge protection device



2882828

<https://www.phoenixcontact.com/us/products/2882828>

Environmental product compliance

| | |
|------------|--|
| REACH SVHC | Lead 7439-92-1 |
| China RoHS | Environmentally Friendly Use Period = 50 years |
| | For information on hazardous substances, refer to the manufacturer's declaration available under "Downloads" |

Phoenix Contact 2024 © - all rights reserved

<https://www.phoenixcontact.com>

Phoenix Contact USA
586 Fulling Mill Road
Middletown, PA 17057, United States
(+717) 944-1300
info@phoenixcon.com