

MNT-TAE D/WH - Type 3 surge protection device



2882394

<https://www.phoenixcontact.com/us/products/2882394>

Please be informed that the data shown in this PDF document is generated from our online catalog. Please find the complete data in the user documentation. Our general terms of use for downloads are valid.

Socket attachment plug with surge protection for the power supply and signal connection of an end device with analog or digital telecommunications interface (VDSL up to 50 Mbps, on short paths (< 300 m) up to 80 Mbps). Cable is included.



Your advantages

- Optimal additional protection of the building installation for longer service life and increased availability of the end devices
- Industrial quality for residential buildings, thanks to compliance with international product standard
- Meets the most stringent safety requirements with thermal monitoring and additional fuses
- Special router protection, thanks to simultaneous protection of the power supply and the signals

Commercial data

Item number	2882394
Packing unit	1 pc
Minimum order quantity	1 pc
Product key	CL1423
Catalog page	Page 88 (C-4-2019)
GTIN	4046356073462
Weight per piece (including packing)	200.2 g
Weight per piece (excluding packing)	195.3 g
Country of origin	DE

MNT-TAE D/WH - Type 3 surge protection device



2882394

<https://www.phoenixcontact.com/us/products/2882394>

Technical data

Product properties

IEC test classification	C1
	C2
	C3
	D1
IEC power supply system	TN
	TT
Type	Attachment plug
Product type	Device protection
Product family	MAINTRAB
Number of positions	2
For country-specific use in	D
Surge protection fault message	optical
Wire pairs per module	1

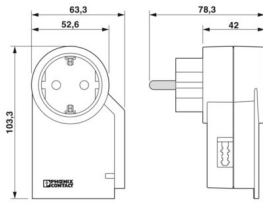
Insulation characteristics

Overvoltage category	III
Pollution degree	2
IEC test classification	III
	T3
EN type	T3
Number of ports	One

Connection data

Connection method	RJ12-/TAE 6
Connection method	Grounding plug/socket

Dimensions

Dimensional drawing	
Width	63 mm
Height	103 mm
Depth	78 mm

Material specifications

Color	white (RAL 9010)
	black (RAL 9005)

MNT-TAE D/WH - Type 3 surge protection device



2882394

<https://www.phoenixcontact.com/us/products/2882394>

Flammability rating according to UL 94	V-0
CTI value of material	400
	600
Insulating material	PA 6
Housing material	PA 6

Protective circuit

Power supplies

Direction of action	L/N-PE & Signal Line-Earth Ground
Nominal voltage U_N	230/400 V AC (TN/TT)
Nominal frequency f_N	50 Hz (60 Hz)
Maximum continuous operating voltage U_C (L-N)	275 V AC
Maximum continuous operating voltage U_C (L-PE)	360 V AC
Maximum continuous operating voltage U_C (N-PE)	360 V AC
Rated load current I_L	16 A (30 °C)
Residual current I_{PE}	$\leq 5 \mu A$
Standby power consumption P_C	≤ 1.00 VA
Reference test voltage U_{REF}	255.00 V AC
Combination wave U_{OC}	6 kV
Voltage protection level U_p	≤ 1.5 kV
TOV behavior at U_T (L-N)	460 V AC (5 s / withstand mode)
	460 V AC (120 min / safe failure mode)
TOV behavior at U_T (L-PE)	460 V AC (5 s / withstand mode)
	460 V AC (120 min / withstand mode)
	1455 V AC (200 ms / safe failure mode)
TOV behavior at U_T (N-PE)	1200 V AC (200 ms / safe failure mode)
Response time t_A (L-N)	≤ 25 ns
Response time t_A (L-PE)	≤ 100 ns
Response time t_A (N-PE)	≤ 100 ns
Max. required back-up fuse	16 A (gG / B / C)
Short-circuit current rating I_{SCCR}	1.5 kA AC

Information technology

Maximum continuous voltage U_C	200 V DC
Rated current	150 mA (25 °C)
Operating effective current I_C at U_C	$\leq 150 \mu A$
Standby power consumption P_C	≤ 1.00 VA
Residual current I_{PE}	$\leq 2 \mu A$
Insulation resistance R_{iso}	≥ 1 M Ω
	≥ 1 G Ω
Nominal discharge current I_n (8/20) μs (line-line)	1 kA
Nominal discharge current I_n (8/20) μs (line-ground)	2.5 kA
Total discharge current I_{total} (8/20) μs	10 kA
Max. discharge current I_{max} (8/20) μs	2.5 kA

MNT-TAE D/WH - Type 3 surge protection device



2882394

<https://www.phoenixcontact.com/us/products/2882394>

Nominal pulse current I_{an} (10/1000) μ s (line-line)	35 A
Nominal pulse current I_{an} (10/1000) μ s (line-earth)	200 A
Output voltage limitation at 1 kV/ μ s (line-line) spike	≤ 360 V
Output voltage limitation at 1 kV/ μ s (line-earth) spike	≤ 900 V
Output voltage limitation at 1 kV/ μ s (line-line) static	≤ 360 V
Residual voltage at I_n (conductor-conductor)	≤ 500 V
Residual voltage at I_n (conductor-ground)	≤ 30 V
Residual voltage with I_{an} (10/1000) μ s (line-line)	≤ 35 V
Residual voltage with I_{an} (10/1000) μ s (line-earth)	≤ 35 V
Voltage protection level U_p (line-line)	≤ 460 V (C2 - 1 kA)
	≤ 350 V (C3 - 25 A)
Voltage protection level U_p (line-earth)	≤ 900 V (C2 - 2 kA)
	≤ 900 V (C3 - 100 A)
Response time t_A (line-line)	≤ 25 ns
Response time t_A (line-earth)	≤ 100 ns
Cut-off frequency f_g (3 dB), sym. in 100 Ω system	typ. 4 MHz
Cut-off frequency f_g (3 dB), sym. in 150 Ω system	typ. 3 MHz
Cut-off frequency f_g (3 dB), sym. in 600 Ω system	typ. 700 kHz
Capacity (Core-Core)	typ. 1 nF
Capacity (Core-Earth)	typ. 5 pF
Alternating current carrying capacity (line-line)	250 mA - 1 s
Alternating current carrying capacity (line-earth)	10 A - 1 s
Pulse reset time (line-line)	≤ 15 ms

Environmental and real-life conditions

Ambient conditions

Degree of protection	IP20 (Child-proofing)
Ambient temperature (operation)	-25 °C ... 75 °C
Ambient temperature (storage/transport)	-25 °C ... 75 °C
Altitude	≤ 2000 m (amsl)
Permissible humidity (operation)	5 % ... 95 %

Standards and regulations

Standards/specifications	IEC 61643-11
Note	2011
Standards/specifications	EN 61643-11
Note	2019
Standards/specifications	EN 61643-21
Note	A2:2013
Standards/specifications	IEC 61643-21
Note	A2:2012

Mounting

Mounting type	Plugging into the mains socket
---------------	--------------------------------

MNT-TAE D/WH - Type 3 surge protection device



2882394

<https://www.phoenixcontact.com/us/products/2882394>

Classifications

ECLASS

ECLASS-11.0	27130810
ECLASS-13.0	27171602

ETIM

ETIM 9.0	EC001473
----------	----------

UNSPSC

UNSPSC 21.0	39121600
-------------	----------

MNT-TAE D/WH - Type 3 surge protection device



2882394

<https://www.phoenixcontact.com/us/products/2882394>

Environmental product compliance

REACH SVHC	Lead 7439-92-1
	Hexahydromethylphthalic anhydride
China RoHS	Environmentally Friendly Use Period = 50 years
	For information on hazardous substances, refer to the manufacturer's declaration available under "Downloads"

Phoenix Contact 2024 © - all rights reserved
<https://www.phoenixcontact.com>

Phoenix Contact USA
586 Fulling Mill Road
Middletown, PA 17057, United States
(+717) 944-1300
info@phoenixcon.com