

MNT-TV-SAT D - Type 3 surge protection device



2882284

<https://www.phoenixcontact.com/us/products/2882284>

Please be informed that the data shown in this PDF document is generated from our online catalog. Please find the complete data in the user documentation. Our general terms of use for downloads are valid.

Socket attachment plug with surge protection for the power supply unit and signal connection for radio and television equipment (cable, terrestrial antenna, satellite system). Cable is provided.



Your advantages

- Optimal additional protection of the building installation for longer service life and increased availability of the end devices
- Industrial quality for residential buildings, thanks to compliance with international product standard
- Meets the most stringent safety requirements with thermal monitoring and additional fuses
- Ideal addition to the C-SAT surge protective device, direct end device protection

Commercial data

| | |
|--------------------------------------|--------------------|
| Item number | 2882284 |
| Packing unit | 1 pc |
| Minimum order quantity | 1 pc |
| Product key | CL1424 |
| Catalog page | Page 89 (C-4-2019) |
| GTIN | 4046356073516 |
| Weight per piece (including packing) | 314 g |
| Weight per piece (excluding packing) | 314.6 g |
| Country of origin | DE |

MNT-TV-SAT D - Type 3 surge protection device



2882284

<https://www.phoenixcontact.com/us/products/2882284>

Technical data

Notes

General

| | |
|------|---|
| Note | Shielding requirements according to DIN EN 50083-2, Class A |
|------|---|

Product properties

| | |
|--------------------------------|-------------------------|
| IEC test classification | C2 |
| | C3 |
| | D1 |
| IEC power supply system | TN |
| | TT |
| Type | Attachment plug |
| Product type | Device protection |
| Product family | MAINTRAB |
| Number of positions | 2 |
| For country-specific use in | D, A, NL, E, S, FIN, TR |
| Surge protection fault message | optical |

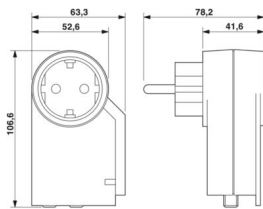
Insulation characteristics

| | |
|-------------------------|-----|
| Overvoltage category | II |
| Pollution degree | 2 |
| IEC test classification | III |
| | T3 |
| EN type | T3 |
| Number of ports | One |

Connection data

| | |
|-------------------|-----------------------|
| Connection method | F connector |
| Connection method | Grounding plug/socket |

Dimensions

| | |
|---------------------|--|
| Dimensional drawing |  |
| Width | 63 mm |
| Height | 107 mm |
| Depth | 78 mm |

Material specifications

MNT-TV-SAT D - Type 3 surge protection device



2882284

<https://www.phoenixcontact.com/us/products/2882284>

| | |
|--|------------------|
| Color | black (RAL 9005) |
| | black (RAL 9005) |
| Flammability rating according to UL 94 | V-0 |
| CTI value of material | 400 |
| | 600 |
| Insulating material | PA 6 |
| Housing material | PA 6 |

Protective circuit

Power supplies

| | |
|---|--|
| Direction of action | L/N-PE & Signal Line-Shield-Earth Ground |
| Nominal voltage U_N | 230/400 V AC (TN/TT) |
| Nominal frequency f_N | 50 Hz (60 Hz) |
| Maximum continuous operating voltage U_C (L-N) | 275 V AC |
| Maximum continuous operating voltage U_C (L-PE) | 360 V AC |
| Maximum continuous operating voltage U_C (N-PE) | 360 V AC |
| Rated load current I_L | 16 A (30 °C) |
| Residual current I_{PE} | $\leq 5 \mu A$ |
| Standby power consumption P_C | $\leq 1.00 VA$ |
| Reference test voltage U_{REF} | 255.00 V AC |
| Combination wave U_{OC} | 6 kV |
| Voltage protection level U_p | $\leq 1.5 kV$ |
| TOV behavior at U_T (L-N) | 460 V AC (5 s / withstand mode) |
| | 460 V AC (120 min / safe failure mode) |
| TOV behavior at U_T (L-PE) | 460 V AC (5 s / withstand mode) |
| | 460 V AC (120 min / withstand mode) |
| | 1455 V AC (200 ms / safe failure mode) |
| TOV behavior at U_T (N-PE) | 1200 V AC (200 ms / safe failure mode) |
| Response time t_A (L-N) | $\leq 25 ns$ |
| Response time t_A (L-PE) | $\leq 100 ns$ |
| Response time t_A (N-PE) | $\leq 100 ns$ |
| Max. required back-up fuse | 16 A (gG / B / C) |
| Short-circuit current rating I_{SCCR} | 1.5 kA AC |

Information technology

| | |
|--|-------------------|
| Maximum continuous voltage U_C | 24 V DC |
| Rated current | 1.5 A (25 °C) |
| Operating effective current I_C at U_C | $\leq 1 \mu A$ |
| Standby power consumption P_C | $\leq 1.00 VA$ |
| Residual current I_{PE} | $\leq 1 \mu A$ |
| Insulation resistance R_{iso} | $\geq 70 M\Omega$ |
| | $\geq 70 M\Omega$ |
| Nominal discharge current I_n (8/20) μs (line-ground) | 2.5 kA |
| Nominal discharge current I_n (8/20) μs (line-shield) | 2.5 kA |

MNT-TV-SAT D - Type 3 surge protection device



2882284

<https://www.phoenixcontact.com/us/products/2882284>

| | |
|--|--|
| Nominal discharge current I_n (8/20) μ s (shield-ground) | 5 kA |
| Total discharge current I_{total} (8/20) μ s | 5 kA |
| Nominal pulse current I_{an} (10/1000) μ s (line-shield) | 120 A |
| Nominal pulse current I_{an} (10/1000) μ s (shield-ground) | 200 A |
| Output voltage limitation at 1 kV/ μ s (line-shield) spike | \leq 700 V |
| Output voltage limitation at 1 kV/ μ s (shield-ground) spike | \leq 1 kV |
| Output voltage limitation at 1 kV/ μ s (line-shield) static | \leq 700 V |
| Output voltage limitation at 1 kV/ μ s (shield-ground) static | \leq 1 kV |
| Residual voltage at I_n (conductor-shield) | \leq 40 V |
| Residual voltage at I_n (shield-ground) | \leq 50 V |
| Voltage protection level U_p (line-shield) | \leq 700 V (C2 - 2 kA) |
| Voltage protection level U_p (shield-ground) | \leq 1.2 kV (C2 - 5 kA) |
| Response time t_A (line-shield) | \leq 100 ns |
| Response time t_A (shield-ground) | \leq 100 ns |
| Input attenuation a_E , asym. | typ. 0.3 dB (\leq 2.4 GHz / 75 Ω) |
| Cut-off frequency f_g (3 dB), asym. (shield) in 75 Ω system | typ. 2.5 GHz |
| Frequency range | 0 Hz ... 2400 MHz |
| Capacity asymmetrical (shield) | typ. 10 pF |
| Alternating current carrying capacity (line-shield) | 5 A - 1 s |
| Alternating current carrying capacity (shield-ground) | 10 A - 1 s |
| Pulse reset time (line-shield) | \leq 4 s |

Environmental and real-life conditions

Ambient conditions

| | |
|---|-----------------------|
| Degree of protection | IP20 (Child-proofing) |
| Ambient temperature (operation) | -25 °C ... 75 °C |
| Ambient temperature (storage/transport) | -25 °C ... 75 °C |
| Altitude | \leq 2000 m (amsl) |
| Permissible humidity (operation) | 5 % ... 95 % |

Standards and regulations

| | |
|--------------------------|--------------|
| Standards/specifications | IEC 61643-11 |
| Note | 2011 |
| Standards/specifications | EN 61643-11 |
| Note | 2019 |
| Standards/specifications | EN 61643-21 |
| Note | A2:2013 |
| Standards/specifications | IEC 61643-21 |
| Note | A2:2012 |
| Standards/specifications | EN 50083 |
| Note | CLASS-A |

Mounting

| | |
|---------------|--------------------------------|
| Mounting type | Plugging into the mains socket |
|---------------|--------------------------------|

MNT-TV-SAT D - Type 3 surge protection device



2882284

<https://www.phoenixcontact.com/us/products/2882284>

Classifications

ECLASS

| | |
|-------------|----------|
| ECLASS-11.0 | 27130810 |
| ECLASS-13.0 | 27171603 |

ETIM

| | |
|----------|----------|
| ETIM 9.0 | EC001625 |
|----------|----------|

UNSPSC

| | |
|-------------|----------|
| UNSPSC 21.0 | 39121600 |
|-------------|----------|

MNT-TV-SAT D - Type 3 surge protection device



2882284

<https://www.phoenixcontact.com/us/products/2882284>

Environmental product compliance

| | |
|------------|--|
| REACH SVHC | Lead 7439-92-1 |
| | Hexahydromethylphthalic anhydride |
| China RoHS | Environmentally Friendly Use Period = 50 years |
| | For information on hazardous substances, refer to the manufacturer's declaration available under "Downloads" |

Phoenix Contact 2024 © - all rights reserved
<https://www.phoenixcontact.com>

Phoenix Contact USA
586 Fulling Mill Road
Middletown, PA 17057, United States
(+717) 944-1300
info@phoenixcon.com