

RAD-ADP-N/F-N/F - Adapter



2867843

<https://www.phoenixcontact.com/us/products/2867843>

Please be informed that the data shown in this PDF document is generated from our online catalog. Please find the complete data in the user documentation. Our general terms of use for downloads are valid.

Antenna adapter for control cabinet feed-through, frequency range: 0.3 GHz ... 6 GHz, degree of protection: IP65, connection: 2 x N (female)



Your advantages

- Space-saving, thanks to the compact design
- Easy installation with system-conforming connection technology
- For adapting between antenna cables
- For control cabinet feed-through

Commercial data

Item number	2867843
Packing unit	1 pc
Minimum order quantity	1 pc
Sales key	DN23
Product key	DNN2Z1
Catalog page	Page 392 (C-6-2019)
GTIN	4046356046923
Weight per piece (including packing)	51.2 g
Weight per piece (excluding packing)	49 g
Customs tariff number	85366910
Country of origin	PL

RAD-ADP-N/F-N/F - Adapter

2867843

<https://www.phoenixcontact.com/us/products/2867843>

Technical data

Product properties

Product type	Coaxial adapter
--------------	-----------------

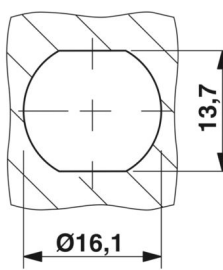
Electrical properties

Frequency range	0.3 GHz ... 6 GHz
Impedance	50 Ω

Connection data

Connection method	N (female)
-------------------	------------

Dimensions

Dimensional drawing	
Width	38 mm
Diameter	16.5 mm
Hole diameter	16.1 mm

Material specifications

Housing material	Brass (CuZn)
------------------	--------------

Environmental and real-life conditions

Ambient conditions

Degree of protection	IP65 (when installed)
Ambient temperature (operation)	-65 °C ... 165 °C
Ambient temperature (storage/transport)	-65 °C ... 165 °C

Mounting

Assembly instructions	Outdoors and indoors
	Connection-specific attachment plug

RAD-ADP-N/F-N/F - Adapter



2867843

<https://www.phoenixcontact.com/us/products/2867843>

Classifications

ECLASS

ECLASS-11.0	19070417
ECLASS-12.0	19070417
ECLASS-13.0	19070417

ETIM

ETIM 9.0	EC001135
----------	----------

UNSPSC

UNSPSC 21.0	39121400
-------------	----------

RAD-ADP-N/F-N/F - Adapter

2867843

<https://www.phoenixcontact.com/us/products/2867843>



Environmental product compliance

REACH SVHC	Lead 7439-92-1
China RoHS	Environmentally Friendly Use Period = 25;
	For information on hazardous substances, refer to the manufacturer's declaration available under "Downloads"

Phoenix Contact 2024 © - all rights reserved

<https://www.phoenixcontact.com>

Phoenix Contact USA
586 Fulling Mill Road
Middletown, PA 17057, United States
(+717) 944-1300
info@phoenixcon.com