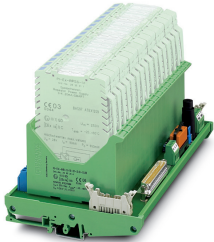


Motherboard - PI-EX-MB-S/16-01-2/D-SUB - 2865214


Please be informed that the data shown in this PDF Document is generated from our Online Catalog. Please find the complete data in the user's documentation. Our General Terms of Use for Downloads are valid (<http://phoenixcontact.com/download>)



Ex i motherboard for accommodating 16 x PI-Ex supply, input or output signal conditioner modules. With interface for connecting to HART multiplexer and D-SUB pin strip for connecting the analog signals to the control system level.



Key Commercial Data

Packing unit	1 pc
GTIN	 4 046356 148696
GTIN	4046356148696
Weight per Piece (excluding packing)	953.800 g
Custom tariff number	85389099
Country of origin	Germany

Technical data

Note

Utilization restriction	EMC: class A product, see manufacturer's declaration in the download area
-------------------------	---

Dimensions

Width	247.7 mm
Height	127.5 mm
Depth	92 mm

Ambient conditions

Ambient temperature (operation)	-20 °C ... 60 °C
Ambient temperature (storage/transport)	-40 °C ... 75 °C

General

Motherboard - PI-EX-MB-S/16-01-2/D-SUB - 2865214

Technical data

General

Nom. voltage	20 V DC ... 35 V DC (See nominal voltage, PI modules)
Housing insulation material	Polyamide PA non-reinforced, polycarbonate PC, PVC
Color	green
Conformance	CE-compliant
ATEX	# II (1) GD [EEx ia] IIC

Standards and Regulations

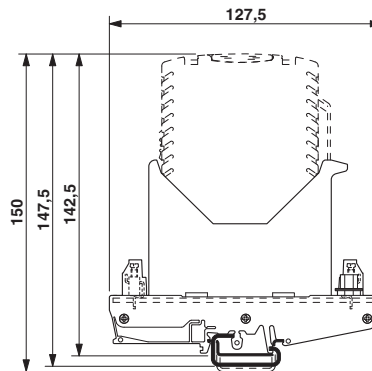
Conformance	CE-compliant
ATEX	# II (1) GD [EEx ia] IIC

Environmental Product Compliance

REACH SVHC	Lead 7439-92-1
China RoHS	Environmentally friendly use period: unlimited = EFUP-e
	No hazardous substances above threshold values

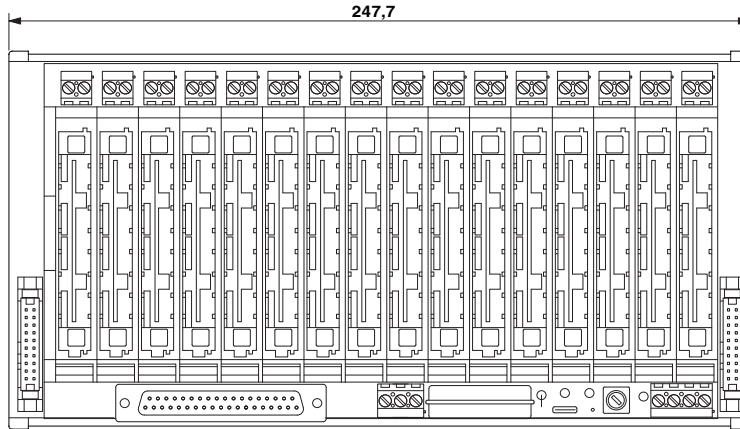
Drawings

Dimensional drawing



Motherboard - PI-EX-MB-S/16-01-2/D-SUB - 2865214

Dimensional drawing



Classifications

eCl@ss

eCl@ss 10.0.1	27141152
eCl@ss 11.0	27141152
eCl@ss 4.0	27141100
eCl@ss 4.1	27141100
eCl@ss 5.0	27371600
eCl@ss 5.1	27371600
eCl@ss 6.0	27371600
eCl@ss 7.0	27141152
eCl@ss 9.0	27141152

ETIM

ETIM 4.0	EC002780
ETIM 6.0	EC002780
ETIM 7.0	EC002780

UNSPSC

UNSPSC 6.01	30211811
UNSPSC 7.0901	39121410
UNSPSC 11	39121410
UNSPSC 12.01	39121410
UNSPSC 13.2	39121432
UNSPSC 18.0	39121432
UNSPSC 19.0	39121432
UNSPSC 20.0	39121432

Motherboard - PI-EX-MB-S/16-01-2/D-SUB - 2865214

Classifications

UNSPSC

UNSPSC 21.0	39121432
-------------	----------

Approvals

Approvals

Approvals

EAC

Ex Approvals

ATEX / ATEX

Approval details

EAC		RU*DE.*08.B.01536/19
-----	---	----------------------
