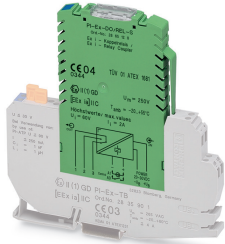


Signal isolator - PI-EX-DO/REL-S - 2865120

Please be informed that the data shown in this PDF Document is generated from our Online Catalog. Please find the complete data in the user's documentation. Our General Terms of Use for Downloads are valid (<http://phoenixcontact.com/download>)



Ex i binary output: Relay with intrinsically safe contact side. For switching intrinsically safe circuits. Control either with external switching voltages or floating switch contacts. With additional hand-operated level. Electrical isolation.



Key Commercial Data

Packing unit	1 pc
GTIN	
GTIN	4017918956639
Weight per Piece (excluding packing)	86.010 g
Custom tariff number	85364190
Country of origin	Germany

Technical data

Note

Utilization restriction	EMC: class A product, see manufacturer's declaration in the download area
-------------------------	---

Dimensions

Width	12.4 mm
Height	79 mm
Depth	118.4 mm

Ambient conditions

Ambient temperature (operation)	-20 °C ... 55 °C
Ambient temperature (storage/transport)	-40 °C ... 85 °C

Input data

Signal isolator - PI-EX-DO/REL-S - 2865120

Technical data

Input data

Available input sources	External voltage actuated operation; 4 V DC < U _s < 30 V DC: Relay picks up; U _s < 2 V DC: Relay drops out
	Operation via external switching contact, switch closed: Relay picks up; switch open: Relay drops out

Output data

Switching output	Relay output
Contact type	1 changeover contact
Contact material	AgNi, + 5 µm Au
Maximum switching voltage	30 V DC
Limiting continuous current	300 mA (when intrinsically safe circuits are connected)
Contact transition resistor	≤ 0.1 Ω
Mechanical service life	3x 10 ⁶ cycles
Service life, electrical	50000 cycles (at 24 V DC / 10 A / 85 °C)

Power supply

Supply voltage range	20 V DC ... 30 V DC
----------------------	---------------------

General

No. of channels	1
Status display	Green LED (supply voltage) Yellow LED (status display)
Housing material	PBT and polyamide PA non-reinforced
Color	green
Designation	Input/output
Electrical isolation	375 V (Peak value as per EN 50020 / EN 60079-11)
Test voltage	1.5 kV AC (50 Hz, 1 min.)
Designation	Output/supply
Electrical isolation	375 V (Peak value as per EN 50020 / EN 60079-11)

Safety data

Safety-related maximum voltage U _m	250 V AC
---	----------

Standards and Regulations

Conformance	CE-compliant
ATEX	# II (1) G [Ex ia] IIC # II (1) D [Ex iaD] # II 3 G Ex nAC IIC T4 X

Environmental Product Compliance

REACH SVHC	Lead 7439-92-1
------------	----------------

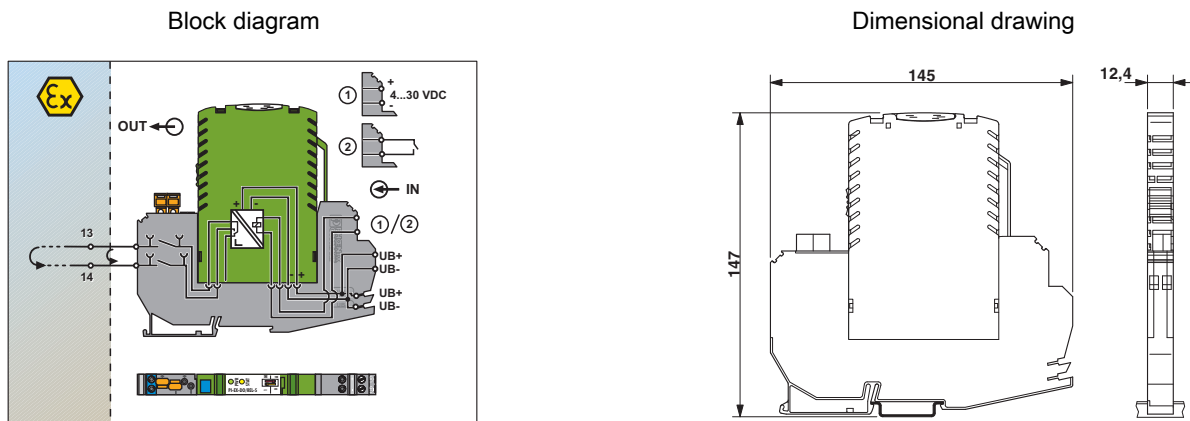
Signal isolator - PI-EX-DO/REL-S - 2865120

Technical data

Environmental Product Compliance

China RoHS	Environmentally Friendly Use Period = 50 years
	For details about hazardous substances go to tab "Downloads", Category "Manufacturer's declaration"

Drawings



Classifications

eCl@ss

eCl@ss 10.0.1	27371601
eCl@ss 11.0	27371601
eCl@ss 4.0	27210100
eCl@ss 4.1	27210100
eCl@ss 5.0	27371600
eCl@ss 5.1	27371600
eCl@ss 6.0	27371600
eCl@ss 7.0	27371601
eCl@ss 9.0	27371601

ETIM

ETIM 2.0	EC001437
ETIM 3.0	EC001437
ETIM 4.0	EC001437
ETIM 6.0	EC001437
ETIM 7.0	EC001437

Signal isolator - PI-EX-DO/REL-S - 2865120

Classifications

UNSPSC

UNSPSC 6.01	30211506
UNSPSC 7.0901	39121008
UNSPSC 11	39121008
UNSPSC 12.01	39121008
UNSPSC 13.2	39122334
UNSPSC 18.0	39122334
UNSPSC 19.0	39122334
UNSPSC 20.0	39122334
UNSPSC 21.0	39122334