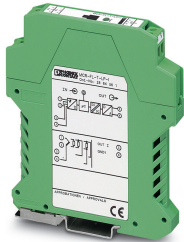


# Temperature measuring transducer - MCR-FL-T-LP-I - 2864561

Please be informed that the data shown in this PDF Document is generated from our Online Catalog. Please find the complete data in the user's documentation. Our General Terms of Use for Downloads are valid (<http://phoenixcontact.com/download>)




MCR temperature measuring transducer: programmable, loop-powered, for resistance thermometers, thermocouples, resistance-type sensors and voltage sensors.

## Your advantages

- ✓ Freely programmable via MCR/PI-CONF-WIN
- ✓ Two-wire transmitter for resistance thermometers, thermocouples, resistance-type sensors, and voltage sensors



## Key Commercial Data

Packing unit	1 pc
GTIN	 4 017918 899820
GTIN	4017918899820
Weight per Piece (excluding packing)	110.910 g
Custom tariff number	85437090
Country of origin	Germany

## Technical data

### Dimensions

Width	12.5 mm
Height	99 mm
Depth	114.5 mm

### Ambient conditions

Ambient temperature (operation)	-40 °C ... 85 °C
Degree of protection	IP20
Noise immunity	EN 61326-1 (IEC 61326) and NAMUR NE 21

# Temperature measuring transducer - MCR-FL-T-LP-I - 2864561

## Technical data

### Input data

Configurable/programmable	Yes, programmable
Sensor types (RTD) that can be used	Pt, Ni (100, 500, 1000); minimum measurement range 10 K
Sensor types that can be used (TC)	B, C, D, E, J, K, L, N, R, S, T, U; minimum measurement range 50 K/500 K
Linear resistance measuring range	Resistance-type sensor from 10 Ω to 400 Ω and from 10 Ω to 2000 Ω; minimum measurement range 10 Ω/100 Ω
Connection technology	2-, 3-, 4-conductor

### Output data

Output name	Current output
Number of outputs	1
Configurable/programmable	Yes
Current output signal	4 mA ... 20 mA
	20 mA ... 4 mA
Output current with wire break	≤ 3.6 mA or ≥ 21 mA (adjustable)
Output current with short-circuit	≤ 3.6 mA or ≥ 21 mA (adjustable, not for thermocouples)
Output current range with overrange/underrange	≤ 20.5 mA / ≥ 3.8 mA (linear increase/decrease)
Load/output load current output	max (V <sub>supply</sub> - 12 V) / 0.023 A (current output)

### Power supply

Designation	Loop-powered
Supply voltage range	12 V DC ... 35 V DC
Max. current consumption	< 3.5 mA

### Connection data

Connection method	Screw connection
Stripping length	8 mm
Screw thread	M3
Conductor cross section solid	0.2 mm <sup>2</sup> ... 2.5 mm <sup>2</sup>
Conductor cross section flexible	0.2 mm <sup>2</sup> ... 2.5 mm <sup>2</sup>
Conductor cross section AWG	24 ... 14

### General

Transmission error resistance thermometer	0.2 K (Pt 100, Ni 100), 0.5 K (Pt 500, Ni 500), 0.3 K (Pt 1000, Ni 1000)
Transmission error thermocouples	typ. 0.5 K (K, J, T, E, L, U), 1.0 K (N, C, D), 2.0 K (S, B, R)
Transmission error resistance-type sensor	± 0.1 Ω (10...400 Ω), ± 1.5 Ω (10...2000 Ω)
Transmission error voltage sensor	± 20 μV (-10...100 mV)
Step response (10-90%)	< 2 s
Switch-on delay	4 s
Test voltage input/output	2 kV (50 Hz, 1 min.)
Noise emission	EN 61326-1 (IEC 61326) and NAMUR NE 21

# Temperature measuring transducer - MCR-FL-T-LP-I - 2864561

## Technical data

### General

Noise immunity	EN 61326-1 (IEC 61326) and NAMUR NE 21
Color	green
Housing material	Polyamide PA non-reinforced
Mounting position	any
Configuration	Using MCR-PI-CONF-WIN configuration software package

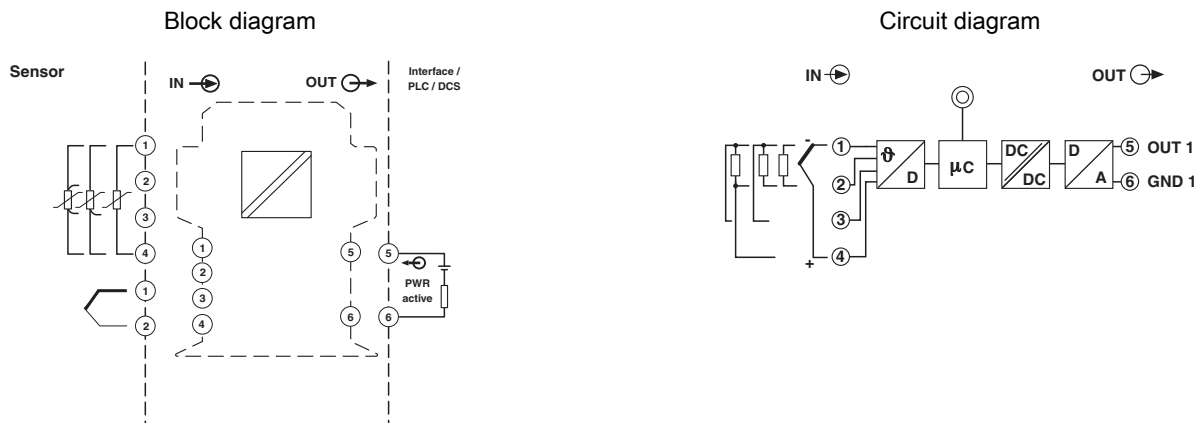
### Standards and Regulations

Noise emission	EN 61326-1 (IEC 61326) and NAMUR NE 21
Noise immunity	EN 61326-1 (IEC 61326) and NAMUR NE 21
Connection in acc. with standard	CUL
Conformance	CE-compliant
UL, USA/Canada	Class I, Div. 2, Groups A, B, C, D

### Environmental Product Compliance

China RoHS	Environmentally friendly use period: unlimited = EFUP-e
	No hazardous substances above threshold values

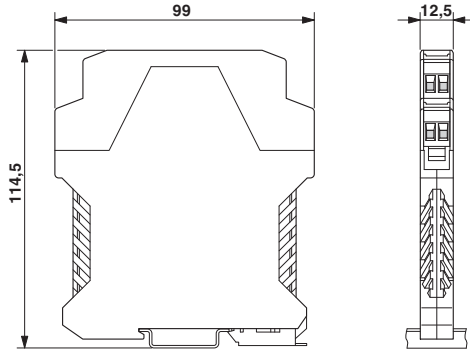
## Drawings



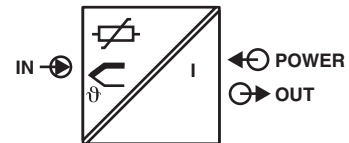
Block diagram MCR-FL-T-LP-I

# Temperature measuring transducer - MCR-FL-T-LP-I - 2864561

Dimensional drawing



Pictogram



## Classifications

### eCl@ss

eCl@ss 10.0.1	27210129
eCl@ss 11.0	27210129
eCl@ss 4.0	27200200
eCl@ss 4.1	27200200
eCl@ss 5.0	27200200
eCl@ss 5.1	27200200
eCl@ss 6.0	27200200
eCl@ss 7.0	27200206
eCl@ss 9.0	27210129

### ETIM

ETIM 2.0	EC001446
ETIM 3.0	EC001446
ETIM 4.0	EC001446
ETIM 6.0	EC002919
ETIM 7.0	EC002919

### UNSPSC

UNSPSC 6.01	30211506
UNSPSC 7.0901	39121008
UNSPSC 11	39121008
UNSPSC 12.01	39121008
UNSPSC 13.2	41112105
UNSPSC 18.0	41112105

# Temperature measuring transducer - MCR-FL-T-LP-I - 2864561

## Classifications

### UNSPSC

UNSPSC 19.0	41112105
UNSPSC 20.0	41112105
UNSPSC 21.0	41112105