

IBS IL 24 RB-T-2MBD-PAC - Communication module



2861962

<https://www.phoenixcontact.com/us/products/2861962>

Please be informed that the data shown in this PDF document is generated from our online catalog. Please find the complete data in the user documentation. Our general terms of use for downloads are valid.



Inline, branch terminal, INTERBUS, Inline shield plug, with remote bus branch, transmission speed in the local bus: 2 Mbps, degree of protection: IP20, including Inline connector and marking field

Your advantages

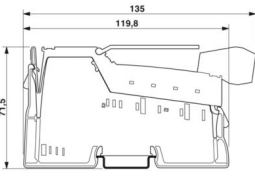
- Connections for a remote bus branch using copper technology

Commercial data

Item number	2861962
Packing unit	1 pc
Minimum order quantity	1 pc
Sales key	DR01
Product key	DRI152
Catalog page	Page 248 (AX-2009)
GTIN	4017918974626
Weight per piece (including packing)	97.7 g
Weight per piece (excluding packing)	67 g
Customs tariff number	85389091
Country of origin	DE

Technical data

Dimensions

Dimensional drawing	
Width	12.2 mm
Height	135 mm
Depth	71.5 mm

Interfaces

INTERBUS

Connection method	Inline data jumper
Transmission speed	2 Mbps

INTERBUS

Connection method	Inline shield connector
Transmission speed	2 Mbps
Transmission physics	RS-485

Inline local bus

Connection method	Inline data jumper
Transmission speed	2 Mbps
Transmission physics	Copper

System properties

System limits

Number of local bus devices that can be connected	max. 63 (Consider the logic current consumed by the devices; the branch terminal does not count as an Inline station device.)
---	---

Module

ID code (dec.)	04
ID code (hex)	04
Length code (hex)	0
Length code (dec)	0
Process data channel	0 bit
Input address area	0 Byte
Output address area	0 Byte
Register length	0 bit
Required parameter data	0 Byte
Required configuration data	0 Byte

Product properties

Type	modular
Product type	I/O component
Product family	Inline
Scope of delivery	including Inline connector and labeling field
Special properties	with remote bus branch

Electrical properties

Potentials: Supply of analog modules (U_{ANA})

Supply voltage	24 V DC (via voltage jumper)
Supply voltage range	19.2 V DC ... 30 V DC (including all tolerances, including ripple)
Current draw	typ. 29 mA

Electrical isolation/isolation of the voltage ranges

Test voltage: 5 V supply, incoming remote bus, electrically isolated from 5 V supply, outgoing remote bus	500 V AC, 50 Hz, 1 min.
Test voltage: 5 V supply, incoming remote bus, electrically isolated from 7.5 V logics supply, 24 V analog supply, 24 V bus terminal module supply, 5 V logics supply branch terminal block	500 V AC, 50 Hz, 1 min.
Test voltage: 5 V supply, incoming remote bus, electrically isolated from 24 V main supply, 24 V segment supply	500 V AC, 50 Hz, 1 min.
Test voltage: 5 V supply incoming remote bus / functional ground	500 V AC, 50 Hz, 1 min.
Test voltage: 5 V supply, outgoing remote bus, electrically isolated from 5 V supply, incoming remote bus	500 V AC, 50 Hz, 1 min.
Test voltage: 5 V supply, outgoing remote bus, electrically isolated from 7.5 V logics supply, 24 V analog supply, 24 V bus terminal module supply, 5 V logics supply branch terminal block	500 V AC, 50 Hz, 1 min.
Test voltage: 5 V supply, outgoing remote bus, electrically isolated from 24 V main supply, 24 V segment supply	500 V AC, 50 Hz, 1 min.
Test voltage: 5 V supply outgoing remote bus, electrically isolated from functional ground	500 V AC, 50 Hz, 1 min.
Test voltage: 7.5 V logics supply, 24 V analog supply, 24 V bus terminal module supply, 5 V logics supply branch terminal block, electrically isolated from 5 V supply incoming remote bus	500 V AC, 50 Hz, 1 min.
Test voltage: 7.5 V logics supply, 24 V analog supply, 24 V bus terminal module supply, 5 V logics supply branch terminal block, electrically isolated from 5 V supply outgoing remote bus	500 V AC, 50 Hz, 1 min.
Test voltage: 7.5 V logics supply, 24 V analog supply, 24 V bus terminal module supply, 5 V logics supply branch terminal block, electrically isolated from 24 V main supply, 24 V segment supply	500 V AC, 50 Hz, 1 min.
Test voltage: 7.5 V communications power, 24 V analog supply, 24 V bus terminal module supply, 5 V communications power, bus branch terminal electrically isolated from functional ground	500 V AC, 50 Hz, 1 min.
Test voltage: 24 V main supply, 24 V segment supply, electrically isolated from 5 V supply, incoming remote bus	500 V AC, 50 Hz, 1 min.
Test voltage: 24 V main supply, 24 V segment supply, electrically isolated from 5 V supply, outgoing remote bus	500 V AC, 50 Hz, 1 min.
Test voltage: 24 V main supply, 24 V segment supply, electrically isolated from 7.5 V logics supply, 24 V analog supply, 24 V bus	500 V AC, 50 Hz, 1 min.

terminal module supply, 5 V logics supply branch terminal block	
Test voltage: 24 V main supply, 24 V segment supply, electrically isolated from the functional ground	500 V AC, 50 Hz, 1 min.

Connection data

Connection technology

Connection name	Inline connector
-----------------	------------------

Conductor connection

Connection method	Spring-cage connection
Conductor cross section rigid	0.08 mm ² ... 1.5 mm ²
Conductor cross section flexible	0.08 mm ² ... 1.5 mm ²
Conductor cross section AWG	28 ... 16
Stripping length	8 mm

Inline connector

Connection method	Spring-cage connection
Conductor cross section, rigid	0.08 mm ² ... 1.5 mm ²
Conductor cross section, flexible	0.08 mm ² ... 1.5 mm ²
Conductor cross section AWG	28 ... 16
Stripping length	8 mm

Environmental and real-life conditions

Ambient conditions

Ambient temperature (operation)	-25 °C ... 55 °C
Degree of protection	IP20
Air pressure (operation)	70 kPa ... 106 kPa (up to 3000 m above sea level)
Air pressure (storage/transport)	70 kPa ... 106 kPa (up to 3000 m above sea level)
Ambient temperature (storage/transport)	-25 °C ... 85 °C
Permissible humidity (operation)	10 % ... 95 % (according to DIN EN 61131-2)
Permissible humidity (storage/transport)	10 % ... 95 % (according to DIN EN 61131-2)

Standards and regulations

Protection class	III (IEC 61140, EN 61140, VDE 0140-1)
------------------	---------------------------------------

Mounting

Mounting type	DIN rail mounting
---------------	-------------------

2861962

<https://www.phoenixcontact.com/us/products/2861962>

Classifications

ECLASS

ECLASS-11.0	27242608
ECLASS-12.0	27242608
ECLASS-13.0	27242608

ETIM

ETIM 9.0	EC001604
----------	----------

UNSPSC

UNSPSC 21.0	32151600
-------------	----------

2861962

<https://www.phoenixcontact.com/us/products/2861962>

Environmental product compliance

REACH SVHC	Lead 7439-92-1
China RoHS	Environmentally friendly use period: unlimited = EFUP-e
	No hazardous substances above threshold values

Phoenix Contact 2024 © - all rights reserved
<https://www.phoenixcontact.com>

Phoenix Contact USA
586 Fulling Mill Road
Middletown, PA 17057, United States
(+717) 944-1300
info@phoenixcon.com