

IBS IL 24 RB-T-PAC - Communication module



2861441

<https://www.phoenixcontact.com/us/products/2861441>

Please be informed that the data shown in this PDF document is generated from our online catalog. Please find the complete data in the user documentation. Our general terms of use for downloads are valid.



Inline, branch terminal, INTERBUS, Inline shield plug, with remote bus branch, transmission speed in the local bus: 500 Kbps, degree of protection: IP20, including Inline connector and marking field

Your advantages

- Diagnostic and status indicators

Commercial data

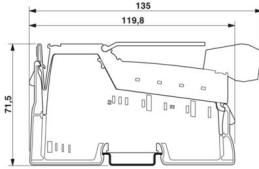
Item number	2861441
Packing unit	1 pc
Minimum order quantity	1 pc
Sales key	DR01
Product key	DRI152
Catalog page	Page 146 (C-6-2019)
GTIN	4017918894375
Weight per piece (including packing)	97.8 g
Weight per piece (excluding packing)	67 g
Customs tariff number	85389099
Country of origin	DE

2861441

<https://www.phoenixcontact.com/us/products/2861441>

Technical data

Dimensions

Dimensional drawing		
Width		12.2 mm
Height		135 mm
Depth		71.5 mm

Notes

Utilization restriction

CCCex note	Use in potentially explosive areas is not permitted in China.
------------	---

Interfaces

INTERBUS

Connection method	Inline data jumper
Transmission speed	500 kbps

INTERBUS

Connection method	Inline shield connector
Transmission speed	500 kbps
Transmission physics	RS-485

Inline local bus

Connection method	Inline data jumper
Transmission speed	500 kbps
Transmission physics	Copper

System properties

System limits

Number of local bus devices that can be connected	max. 63 (Consider the logic current consumed by the devices; the branch terminal does not count as an Inline station device.)
---	---

Module

ID code (dec.)	04
ID code (hex)	04
Length code (hex)	0
Length code (dec)	0
Process data channel	0 bit

IBS IL 24 RB-T-PAC - Communication module



2861441

<https://www.phoenixcontact.com/us/products/2861441>

Input address area	0 Byte
Output address area	0 Byte
Register length	0 bit

Product properties

Type	modular
Product type	I/O component
Product family	Inline
Scope of delivery	including Inline connector and labeling field
Special properties	with remote bus branch

Electrical properties

Maximum power dissipation for nominal condition	696 mW
---	--------

Potentials: Supply of analog modules (U_{ANA})

Supply voltage	24 V DC (via voltage jumper)
Supply voltage range	19.2 V DC ... 30 V DC (including all tolerances, including ripple)
Current draw	typ. 29 mA

Electrical isolation/isolation of the voltage ranges

Test voltage: 5 V supply, incoming remote bus, 5 V supply outgoing remote bus, 5 V supply logic	500 V AC, 50 Hz, 1 min.
Test voltage: Remote bus branch	500 V AC, 50 Hz, 1 min.
Test voltage: Functional ground	500 V AC, 50 Hz, 1 min.

Connection data

Connection technology

Connection name	Inline connector
-----------------	------------------

Conductor connection

Connection method	Spring-cage connection
Conductor cross section rigid	0.08 mm ² ... 1.5 mm ²
Conductor cross section flexible	0.08 mm ² ... 1.5 mm ²
Conductor cross section AWG	28 ... 16
Stripping length	8 mm

Inline connector

Connection method	Spring-cage connection
Conductor cross section, rigid	0.08 mm ² ... 1.5 mm ²
Conductor cross section, flexible	0.08 mm ² ... 1.5 mm ²
Conductor cross section AWG	28 ... 16
Stripping length	8 mm

Environmental and real-life conditions

Ambient conditions

Ambient temperature (operation)	-25 °C ... 55 °C
---------------------------------	------------------

IBS IL 24 RB-T-PAC - Communication module



2861441

<https://www.phoenixcontact.com/us/products/2861441>

Degree of protection	IP20
Air pressure (operation)	70 kPa ... 106 kPa (up to 3000 m above sea level)
Air pressure (storage/transport)	70 kPa ... 106 kPa (up to 3000 m above sea level)
Ambient temperature (storage/transport)	-25 °C ... 85 °C
Permissible humidity (operation)	10 % ... 95 % (according to DIN EN 61131-2)
Permissible humidity (storage/transport)	10 % ... 95 % (according to DIN EN 61131-2)

Standards and regulations

Protection class	III (IEC 61140, EN 61140, VDE 0140-1)
------------------	---------------------------------------

Mounting

Mounting type	DIN rail mounting
---------------	-------------------

IBS IL 24 RB-T-PAC - Communication module



2861441

<https://www.phoenixcontact.com/us/products/2861441>

Classifications

ECLASS

ECLASS-11.0	27242608
ECLASS-12.0	27242608
ECLASS-13.0	27242608

ETIM

ETIM 9.0	EC001604
----------	----------

UNSPSC

UNSPSC 21.0	32151600
-------------	----------

IBS IL 24 RB-T-PAC - Communication module



2861441

<https://www.phoenixcontact.com/us/products/2861441>

Environmental product compliance

REACH SVHC	Lead 7439-92-1
China RoHS	Environmentally friendly use period: unlimited = EFUP-e
	No hazardous substances above threshold values

Phoenix Contact 2024 © - all rights reserved
<https://www.phoenixcontact.com>

Phoenix Contact USA
586 Fulling Mill Road
Middletown, PA 17057, United States
(+717) 944-1300
info@phoenixcon.com