

# VAL-CP-175-ST - Type 2 surge protection plug



2859628

<https://www.phoenixcontact.com/us/products/2859628>

Please be informed that the data shown in this PDF document is generated from our online catalog. Please find the complete data in the user documentation. Our general terms of use for downloads are valid.



Replacement plug for VAL-CP surge protective device with high-capacity varistor with a low leakage current.

## Commercial data

Item number	2859628
Packing unit	1 pc
Minimum order quantity	1 pc
Sales key	CL01
Product key	CL1311
Catalog page	Page 40 (C-6-2013)
GTIN	4046356045506
Weight per piece (including packing)	43.83 g
Weight per piece (excluding packing)	43.83 g
Customs tariff number	85363090
Country of origin	DE

# VAL-CP-175-ST - Type 2 surge protection plug

2859628

<https://www.phoenixcontact.com/us/products/2859628>

## Technical data

### Product properties

IEC test classification	II
	T2
EN type	T2
IEC power supply system	TN
	TT
Type	DIN rail module, two-section, divisible
Product type	Replacement plug
Number of positions	1
Surge protection fault message	optical

### Insulation characteristics

Overvoltage category	III
Pollution degree	2

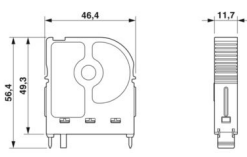
### Electrical properties

Nominal frequency $f_N$	50 Hz (60 Hz)
-------------------------	---------------

### Connection data

Connection method	pluggable
-------------------	-----------

### Dimensions

Dimensional drawing	
Width	11.7 mm
Height	46.4 mm
Depth	56.4 mm
Horizontal pitch	0.6 Div.

### Material specifications

Color	blue grey (RAL 7031)
Flammability rating according to UL 94	V-0
CTI value of material	600
Insulating material	PBT-FR
Material group	I
Housing material	PBT-FR

### Protective circuit

Mode of protection	L-PEN
--------------------	-------

# VAL-CP-175-ST - Type 2 surge protection plug



2859628

<https://www.phoenixcontact.com/us/products/2859628>

	L-N
Direction of action	L-N / L-PEN
Nominal voltage $U_N$	120 V AC (TN) 120 V AC (TT)
Nominal frequency $f_N$	50 Hz (60 Hz)
Maximum continuous voltage $U_C$	175 V AC
Nominal discharge current $I_n$ (8/20) $\mu$ s	20 kA
Maximum discharge current $I_{max}$ (8/20) $\mu$ s	40 kA
Short-circuit current rating $I_{SCCR}$	25 kA
Voltage protection level $U_p$	$\leq 0.85$ kV
Residual voltage $U_{res}$	$\leq 0.85$ kV (at $I_n$ ) $\leq 0.75$ kV (at 10 kA) $\leq 0.65$ kV (at 5 kA) $\leq 0.63$ kV (at 4 kA) $\leq 0.57$ kV (at 2 kA)
TOV behavior at $U_T$	240 V AC (5 s / withstand mode) 240 V AC (120 min / safe failure mode)
Response time $t_A$	$\leq 25$ ns
Max. backup fuse with branch wiring	315 A (gG)

## Environmental and real-life conditions

### Ambient conditions

Degree of protection	IP20
Ambient temperature (operation)	-40 °C ... 80 °C
Ambient temperature (storage/transport)	-40 °C ... 80 °C
Altitude	$\leq 2000$ m (amsl)
Permissible humidity (operation)	5 % ... 95 %
Shock (operation)	30g (Half-sine / 11 ms / 3x $\pm$ X, $\pm$ Y, $\pm$ Z)
Vibration (operation)	5g (10 ... 500 Hz / 2.5 h / X, Y, Z)

## Approvals

### UL specifications

Maximum continuous operating voltage MCOV (L-N)	175 V AC
Nominal discharge current $I_n$ (L-N)	20 kA
Mode of protection	L-N
Nominal voltage	125 V AC
Power distribution system	Single phase
Nominal frequency	50/60 Hz
Measured limiting voltage MLV (L-N)	1510 V
SPD Type	4CA

## Standards and regulations

### Air clearances and creepage distances

# VAL-CP-175-ST - Type 2 surge protection plug



2859628

<https://www.phoenixcontact.com/us/products/2859628>

Standards/regulations	DIN VDE 0110-1 / IEC 60664-1 / IEC 61643-11 / UL 1449
Standards/specifications	IEC 61643-11
Note	2011
Standards/specifications	EN 61643-11
Note	2012

## Mounting

Mounting type	on base element
---------------	-----------------

# VAL-CP-175-ST - Type 2 surge protection plug



2859628

<https://www.phoenixcontact.com/us/products/2859628>

## Classifications

### ECLASS

ECLASS-11.0	27130890
ECLASS-13.0	27171292

### ETIM

ETIM 9.0	EC002496
----------	----------

### UNSPSC

UNSPSC 21.0	39121600
-------------	----------

# VAL-CP-175-ST - Type 2 surge protection plug



2859628

<https://www.phoenixcontact.com/us/products/2859628>

## Environmental product compliance

China RoHS	Environmentally friendly use period: unlimited = EFUP-e No hazardous substances above threshold values
------------	---

Phoenix Contact 2024 © - all rights reserved  
<https://www.phoenixcontact.com>

Phoenix Contact USA  
586 Fulling Mill Road  
Middletown, PA 17057, United States  
(+717) 944-1300  
[info@phoenixcon.com](mailto:info@phoenixcon.com)