

# CTM 10-MAG - Magazine

2838610

<https://www.phoenixcontact.com/us/products/2838610>



Please be informed that the data shown in this PDF document is generated from our online catalog. Please find the complete data in the user documentation. Our general terms of use for downloads are valid.



Magazine with a grounding rail to accommodate up to 10 LSA-PLUS protective plugs (COMTRAB CTM), to insert in CT-TERMIBLOCK or LSA-PLUS disconnect strip

## Your advantages

- Space-saving due to compact design
- Flexible fields of application with modular protective plug
- Can be used in LSA-PLUS disconnect and control strips or CT-TERMIBLOCK via adapted connection technology

## Commercial data

Item number	2838610
Packing unit	5 pc
Minimum order quantity	5 pc
Sales key	CL03
Product key	CL321Z
Catalog page	Page 193 (C-4-2019)
GTIN	4017918819620
Weight per piece (including packing)	23.79 g
Weight per piece (excluding packing)	23.59 g
Customs tariff number	85363010
Country of origin	DE

## Technical data

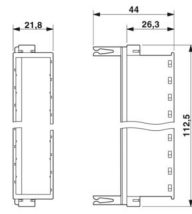
### Product properties

Type	LSA-PLUS module
Product type	Magazine
Product family	COMTRAB
Surge protection fault message	none

### Connection data

Connection method	can be plugged into COMTRAB-TERMIBLOCK and LSA-PLUS disconnect and switching strips
-------------------	---

### Dimensions

Dimensional drawing	
Width	112.5 mm
Height	21.8 mm
Depth	44 mm

### Material specifications

Color	black (RAL 9005)
	Copper
Flammability rating according to UL 94	V-0
Housing material	PA

### Mechanical properties

#### Mechanical data

Open side panel	No
-----------------	----

### Protective circuit

Surge protection fault message	none
--------------------------------	------

### Environmental and real-life conditions

#### Ambient conditions

Degree of protection	IP20
Ambient temperature (operation)	-25 °C ... 75 °C

### Mounting

Mounting type	On CT-TERMIBLOCK and LSA-PLUS disconnect strip
---------------	--

## Classifications

### ECLASS

ECLASS-11.0	27130815
ECLASS-13.0	27171503

### ETIM

ETIM 9.0	EC001466
----------	----------

### UNSPSC

UNSPSC 21.0	39121600
-------------	----------

# CTM 10-MAG - Magazine

2838610

<https://www.phoenixcontact.com/us/products/2838610>



## Environmental product compliance

China RoHS	Environmentally friendly use period: unlimited = EFUP-e No hazardous substances above threshold values
------------	---

Phoenix Contact 2024 © - all rights reserved  
<https://www.phoenixcontact.com>

Phoenix Contact USA  
586 Fulling Mill Road  
Middletown, PA 17057, United States  
(+717) 944-1300  
[info@phoenixcon.com](mailto:info@phoenixcon.com)