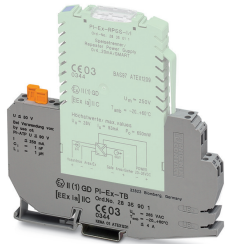


Basic terminal block - PI-EX-TB - 2835901


Please be informed that the data shown in this PDF Document is generated from our Online Catalog. Please find the complete data in the user's documentation. Our General Terms of Use for Downloads are valid (<http://phoenixcontact.com/download>)



Ex base terminal block for intrinsically safe signals with knife disconnection and test connections



Key Commercial Data

Packing unit	1 pc
Minimum order quantity	10 pc
GTIN	 4 017918 911799
GTIN	4017918911799
Weight per Piece (excluding packing)	98.700 g
Custom tariff number	85366990
Country of origin	Germany

Technical data

Dimensions

Width	12.4 mm
Height	145 mm
Depth	86.5 mm

Ambient conditions

Ambient temperature (operation)	-20 °C ... 60 °C
Ambient temperature (storage/transport)	-40 °C ... 85 °C

General

Nominal voltage U_N	250 V
Nominal current I_N	4 A

Basic terminal block - PI-EX-TB - 2835901

Technical data

General

Housing insulation material	PBT
Color	gray
Conformance	CE-compliant
ATEX	# II (1) G [Ex ia] IIC
	# II (1) D [Ex iaD]
	# II 3 G Ex nA II T4 X
UL, USA/Canada	Class I, Div. 2, Groups A, B, C, D

Standards and Regulations

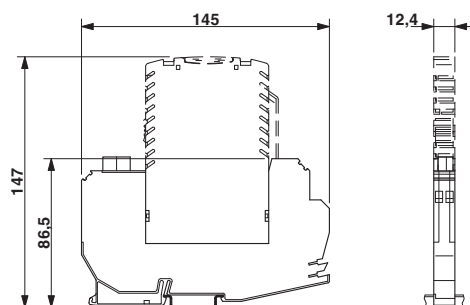
Conformance	CE-compliant
ATEX	# II (1) G [Ex ia] IIC
	# II (1) D [Ex iaD]
	# II 3 G Ex nA II T4 X
UL, USA/Canada	Class I, Div. 2, Groups A, B, C, D

Environmental Product Compliance

REACH SVHC	Lead 7439-92-1
China RoHS	Environmentally friendly use period: unlimited = EFUP-e
	No hazardous substances above threshold values

Drawings

Dimensional drawing



Classifications

eCl@ss

eCl@ss 10.0.1	27141152
eCl@ss 11.0	27141152

Basic terminal block - PI-EX-TB - 2835901

Classifications

eCl@ss

eCl@ss 4.0	27141100
eCl@ss 4.1	27141100
eCl@ss 5.0	27371600
eCl@ss 5.1	27371600
eCl@ss 6.0	27371600
eCl@ss 7.0	27141152
eCl@ss 9.0	27141152

ETIM

ETIM 4.0	EC002780
ETIM 6.0	EC002780
ETIM 7.0	EC002780

UNSPSC

UNSPSC 6.01	30211811
UNSPSC 7.0901	39121410
UNSPSC 11	39121410
UNSPSC 12.01	39121410
UNSPSC 13.2	39121432
UNSPSC 18.0	39121432
UNSPSC 19.0	39121432
UNSPSC 20.0	39121432
UNSPSC 21.0	39121432