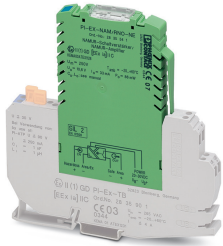


Signal isolator - PI-EX-NAM/RNC-NE - 2835367


Please be informed that the data shown in this PDF Document is generated from our Online Catalog. Please find the complete data in the user's documentation. Our General Terms of Use for Downloads are valid (<http://phoenixcontact.com/download>)



Ex i binary input: NAMUR isolation amplifiers. For operating proximity sensors and switches in Ex areas. The binary signals are transmitted to a safe area. Relay output (N/C contact), line fault detection. Galvanic 3-way isolation.



Key Commercial Data

Packing unit	1 pc
GTIN	 4 017918 178475
GTIN	4017918178475
Weight per Piece (excluding packing)	96.700 g
Custom tariff number	85437090
Country of origin	Germany

Technical data

Note

Utilization restriction	EMC: class A product, see manufacturer's declaration in the download area
-------------------------	---

Dimensions

Width	12.4 mm
Height	79 mm
Depth	118.4 mm

Ambient conditions

Ambient temperature (operation)	-20 °C ... 60 °C (vertical assembly)
	-20 °C ... 55 °C (horizontal assembly)
Ambient temperature (storage/transport)	-40 °C ... 80 °C

Signal isolator - PI-EX-NAM/RNC-NE - 2835367

Technical data

Ambient conditions

Permissible humidity (operation)	5 % ... 95 % (relative humidity, non-condensing)
Noise immunity	EN 61326:1997

Input data

Control current circuit	Intrinsically safe
Available input sources	NAMUR proximity sensors
	Floating switch contacts
	Switch contacts with resistance circuit
Non-load voltage	8.2 V DC \pm 10 %
Switching points (attenuated)	< 1.2 mA (attenuated in acc. with EN 60947-5-6)
Switching points (unattenuated)	> 2.1 mA (non-attenuated in acc. with EN 60947-5-6)

Output data

Switching output	Relay output
Configurable/programmable	Switching behavior can be inverted via DIP switch
Contact type	N/C contact
Contact material	AgSnO, hard gold-plated
Limiting continuous current	1 A (30 V DC)
	0.5 A (125 V AC)
Min. contact current	1 mA
Mechanical service life	10 ⁷ cycles
Service life, electrical	2x 10 ⁵ cycles (at full load)

Power supply

Supply voltage range	20 V DC ... 30 V DC
Max. current consumption	max. 40 mA
Power dissipation	max. 0.8 W (24 V)

General

No. of channels	1
Test voltage input/output	1.5 kV AC
Insulation voltage input/output/supply	0.25 kV _{rms}
Status display	Green LED (supply voltage)
	Yellow LED (status display)
	Red LED (line errors)
Electromagnetic compatibility	Conformance with EMC directive 89/336/EC
Interference emission	EN 61326:1997
Housing material	Polyamide PA non-reinforced
Color	green

Signal isolator - PI-EX-NAM/RNC-NE - 2835367

Technical data

Safety data

Max. output voltage U_o	10.6 V
Max. output current I_o	33 mA
Max. output power P_o	86 mW
Group	IIA
Max. external inductivity L_o	230 mH
Max. external capacitance C_o	72.9 μ F
Group	IIB
Max. external inductivity L_o	110 mH
Max. external capacitance C_o	16.2 μ F
Group	IIC
Max. external inductivity L_o	30 mH
Max. external capacitance C_o	2.3 μ F
EEX specification	[EEx ia] IIC, EX II (1)GD, KEMA 00 ATEX 1126

Standards and Regulations

Electromagnetic compatibility	Conformance with EMC directive 89/336/EC
Noise emission	EN 61326:1997
Noise immunity	EN 61326:1997
Group	IIA
	IIB
	IIC
EEX specification	[EEx ia] IIC, EX II (1)GD, KEMA 00 ATEX 1126

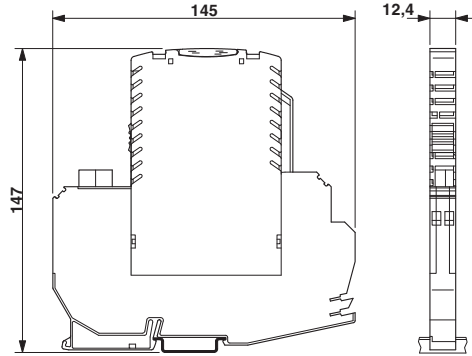
Environmental Product Compliance

REACH SVHC	Lead 7439-92-1
China RoHS	Environmentally Friendly Use Period = 50 years
	For details about hazardous substances go to tab "Downloads", Category "Manufacturer's declaration"

Drawings

Signal isolator - PI-EX-NAM/RNC-NE - 2835367

Dimensional drawing



Classifications

eCl@ss

eCl@ss 10.0.1	27210121
eCl@ss 11.0	27210121
eCl@ss 4.0	27210100
eCl@ss 4.1	27210100
eCl@ss 5.0	27210100
eCl@ss 5.1	27210100
eCl@ss 6.0	27210100
eCl@ss 7.0	27210121
eCl@ss 9.0	27210121

ETIM

ETIM 2.0	EC001485
ETIM 3.0	EC001485
ETIM 4.0	EC001485
ETIM 6.0	EC001485
ETIM 7.0	EC001485

UNSPSC

UNSPSC 6.01	30211506
UNSPSC 7.0901	39121008
UNSPSC 11	39121008
UNSPSC 12.01	39121008
UNSPSC 13.2	39121008
UNSPSC 18.0	39121008
UNSPSC 19.0	39121008
UNSPSC 20.0	39121008

Signal isolator - PI-EX-NAM/RNC-NE - 2835367

Classifications

UNSPSC

UNSPSC 21.0	39121008
-------------	----------

Phoenix Contact 2021 © - all rights reserved
<http://www.phoenixcontact.com>