

IB IL INC-IN-2MBD-PAC - Function module



2819765

<https://www.phoenixcontact.com/us/products/2819765>

Please be informed that the data shown in this PDF document is generated from our online catalog. Please find the complete data in the user documentation. Our general terms of use for downloads are valid.



Inline, Position detection terminal, Incremental encoder input: 1, Symmetrical and asymmetrical encoders, Digital inputs: 3, 24 V DC, Digital outputs: 1, 0.5 A, transmission speed in the local bus: 2 Mbps, degree of protection: IP20, including Inline connectors and marking fields

Product description

The terminal is designed for use within an Inline station. The terminal is used for detecting positions, lengths, or angular positions with incremental encoders. Both symmetrical (RS-422) and asymmetrical (5 V DC to 24 V DC) encoders with rectangular signals can be connected to the terminal block. Rotary transducers or length measurement systems can be read in with or without a Z pulse. To increase operational safety, all encoder inputs are monitored for broken cables. Using a special operating mode, the terminal supports distance-coded incremental encoders, with which the reference run can be reduced to very short distances. In addition to the input for the encoder signals, the terminal also has three digital 24 V DC inputs, one input for the home position switch, and two inputs for limit position switches. Thus 2 or 3-conductor sensors can be connected. Input I3 can also be used as an "open collector" output.

Your advantages

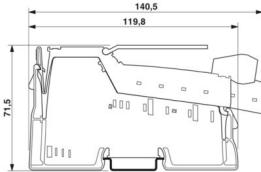
- Supports incremental encoders with symmetrical signals in accordance with EIA standard RS-422 (line driver)
- Supports incremental encoder with asymmetrical signals (push-pull)
- Supplies encoder with 5 V or 24 V voltage
- Three digital inputs for connecting two limit switches or a home position switch
- Maximum input frequency of 300 kHz
- 25-bit actual position value
- Precise evaluation via 1x, 2x, or 4x sampling
- Direction of rotation indicator via LED

Commercial data

Item number	2819765
Packing unit	1 pc
Minimum order quantity	1 pc
Sales key	DR01
Product key	DRI161
Catalog page	Page 303 (AX-2009)
GTIN	4046356082273
Weight per piece (including packing)	177.133 g
Weight per piece (excluding packing)	143 g
Customs tariff number	85389091
Country of origin	DE

Technical data

Dimensions

Dimensional drawing		
Width		24.4 mm
Height		140.5 mm
Depth		71.5 mm

Notes

Utilization restriction

EMC note	EMC: class A product, see manufacturer's declaration in the download area
----------	---

Interfaces

Inline local bus

Number of interfaces	2
Connection method	Inline data jumper
Transmission speed	2 Mbps
Transmission physics	Copper

System properties

Module

ID code (dec.)	127
ID code (hex)	7F
Length code (hex)	02
Length code (dec)	02
Process data channel	32 bit
Input address area	4 Byte
Output address area	4 Byte
Register length	4 Byte
Required parameter data	1 Byte
Required configuration data	5 Byte

Input data

Digital

Input name	Digital inputs
Description of the input	EN 61131-2 type 1

IB IL INC-IN-2MBD-PAC - Function module



2819765

<https://www.phoenixcontact.com/us/products/2819765>

Number of inputs	3
Connection method	Spring-cage connection
Connection technology	3-conductor
Input voltage range "0" signal	-3 V DC ... 5 V DC
Input voltage range "1" signal	15 V DC ... 30 V DC
Nominal input voltage U_{IN}	24 V DC
Nominal input current at U_{IN}	typ. 2.7 mA

Encoder

Number of inputs	1 (Symmetrical or asymmetrical)
Input name	Incremental encoder input
Encoder signals	Symmetrical and asymmetrical encoders
Cable length	max. 30 m (shielded cable, to ensure conformance with EMC Directive)

Output data

Digital

Output name	Digital outputs
Connection method	Spring-cage connection
Connection technology	2-conductor
Number of outputs	1 (NPN, double assignment of input E3)
Output name	Digital outputs
Connection method	Spring-cage connection
Connection technology	2-conductor
Number of outputs	1 (NPN, double assignment of input E3)

Product properties

Type	modular
Product type	I/O component
Product family	Inline
Scope of delivery	including Inline connectors and marking fields
Operating mode	Process data mode with two words

Insulation characteristics

Overvoltage category	II (IEC 60664-1, EN 60664-1)
Pollution degree	2 (IEC 60664-1, EN 60664-1)

Electrical properties

Encoder

Number	1
Nominal output voltage	5 V DC
Voltage range	4.75 V DC ... 5.25 V DC
Current carrying capacity	max. 250 mA
Protective circuit	Short-circuit protection; Electrical and thermal

IB IL INC-IN-2MBD-PAC - Function module



2819765

<https://www.phoenixcontact.com/us/products/2819765>

Number	1
Nominal output voltage	24 V DC
Voltage range	19.2 V DC ... 30 V DC
Current carrying capacity	max. 250 mA
Protective circuit	Short-circuit protection; Electronic and thermal
Number	max. 1 (A, /A, B, /B, Z, /Z)
Designation	Symmetrical incremental encoders
Encoder supply voltage	5 V DC 24 V DC
Signal voltage level	Differential signal (signal – inverted signal) ± 0.5 V, minimum; ± 6 V, maximum
Common mode voltage range signal - ground	-10 V DC ... 13.2 V DC
Input frequency	max. 300 kHz
Number	max. 1 (A, B, (Z))
Designation	Asymmetrical incremental encoder
Encoder supply voltage	5 V DC 24 V DC
Signal voltage level	Low ≤ 2.5 V, high ≥ 3.5 V (up to 27 V, maximum)
Input frequency	max. 300 kHz

Potentials: Communications power (U_L)

Supply voltage	7.5 V (via voltage jumper)
Current draw	max. 80 mA
Power consumption	max. 600 mW

Potentials: Main circuit supply (U_M)

Supply voltage	24 V DC (via voltage jumper)
Supply voltage range	19.2 V DC ... 30 V DC (including all tolerances, including ripple)
Current draw	max. 1 A typ. 340 mA

Electrical isolation/isolation of the voltage ranges

Test voltage: 7.5 V supply (bus logics)/24 V supply (I/O)	500 V AC, 50 Hz, 1 min.
Test voltage: 24 V supply (I/O) / functional ground	500 V AC, 50 Hz, 1 min.
Test voltage: 7.5 V supply (bus logic)/functional ground	500 V AC, 50 Hz, 500 min.

Connection data

Connection technology

Connection name	Inline connector
-----------------	------------------

Conductor connection

Connection method	Spring-cage connection
Conductor cross section rigid	0.08 mm ² ... 1.5 mm ²
Conductor cross section flexible	0.08 mm ² ... 1.5 mm ²
Conductor cross section AWG	28 ... 16
Stripping length	8 mm

IB IL INC-IN-2MBD-PAC - Function module



2819765

<https://www.phoenixcontact.com/us/products/2819765>

Inline connector

Connection method	Spring-cage connection
Conductor cross section, rigid	0.08 mm ² ... 1.5 mm ²
Conductor cross section, flexible	0.08 mm ² ... 1.5 mm ²
Conductor cross section AWG	28 ... 16
Stripping length	8 mm

Environmental and real-life conditions

Ambient conditions

Ambient temperature (operation)	-25 °C ... 55 °C
Degree of protection	IP20
Air pressure (operation)	70 kPa ... 106 kPa (up to 3000 m above sea level)
Air pressure (storage/transport)	70 kPa ... 106 kPa (up to 3000 m above sea level)
Ambient temperature (storage/transport)	-25 °C ... 85 °C
Permissible humidity (operation)	10 % ... 95 % (non-condensing)
Permissible humidity (storage/transport)	10 % ... 95 % (non-condensing)

Standards and regulations

Protection class	III (IEC 61140, EN 61140, VDE 0140-1)
------------------	---------------------------------------

Mounting

Mounting type	DIN rail mounting
---------------	-------------------

IB IL INC-IN-2MBD-PAC - Function module



2819765

<https://www.phoenixcontact.com/us/products/2819765>

Classifications

ECLASS

ECLASS-11.0	27242605
ECLASS-12.0	27242605
ECLASS-13.0	27242605

ETIM

ETIM 9.0	EC001601
----------	----------

UNSPSC

UNSPSC 21.0	32151600
-------------	----------

IB IL INC-IN-2MBD-PAC - Function module



2819765

<https://www.phoenixcontact.com/us/products/2819765>

Environmental product compliance

REACH SVHC	Lead 7439-92-1
China RoHS	Environmentally Friendly Use Period = 50 years
	For information on hazardous substances, refer to the manufacturer's declaration available under "Downloads"

Phoenix Contact 2024 © - all rights reserved

<https://www.phoenixcontact.com>

Phoenix Contact USA
586 Fulling Mill Road
Middletown, PA 17057, United States
(+717) 944-1300
info@phoenixcon.com