

## Surge protection device - D-LAN-A/RJ45-BS - 2818973

Please be informed that the data shown in this PDF Document is generated from our Online Catalog. Please find the complete data in the user's documentation. Our General Terms of Use for Downloads are valid (<http://phoenixcontact.com/download>)



Attachment connector with surge protection for LAN interfaces. Connection: RJ45 sockets



### Key Commercial Data

Packing unit	1 pc
GTIN	 4 017918 172275
GTIN	4017918172275
Weight per Piece (excluding packing)	151.000 g
Custom tariff number	85363010
Country of origin	Germany

### Technical data

#### Ambient conditions

Ambient temperature (operation)	-40 °C ... 80 °C
Degree of protection	IP20

#### General

Color	black
Standards for clearances and creepage distances	DIN VDE 0110-1 IEC 60664-1
Overvoltage category	II
Degree of pollution	2
Type	Attachment plug
Direction of action	Line-Line & Line-Shield & Shield-Earth Ground

## Surge protection device - D-LAN-A/RJ45-BS - 2818973

### Technical data

#### Protective circuit

IEC test classification	C1
	C2
	C3
	B2
VDE requirement class	C1
	C2
	C3
	B2
Maximum continuous voltage $U_C$	$\pm 11$ V DC
Nominal current $I_N$	1.5 A (25 °C)
Operating effective current $I_C$ at $U_C$	$\leq 1$ mA
Residual current $I_{PE}$	$\leq 1$ $\mu$ A
Nominal discharge current $I_n$ (8/20) $\mu$ s (line-line)	350 A
Nominal discharge current $I_n$ (8/20) $\mu$ s (line-earth)	2.5 kA
Max. discharge current $I_{max}$ (8/20) $\mu$ s maximum (line-line)	350 A
Max. discharge current $I_{max}$ (8/20) $\mu$ s maximum (line-earth)	2.5 kA
Nominal pulse current $I_{an}$ (10/700) $\mu$ s (line-line)	160 A
Nominal pulse current $I_{an}$ (10/700) $\mu$ s (line-earth)	160 A
Output voltage limitation at 1 kV/ $\mu$ s (line-line) static	$\leq 30$ V
Output voltage limitation at 1 kV/ $\mu$ s (line-earth) static	$\leq 500$ V
Output voltage limitation (10/700) $\mu$ s (line-line)	$\leq 12$ V
Output voltage limitation (10/700) $\mu$ s (line-earth)	$\leq 200$ V
Residual voltage at $I_n$ (line-line)	$\leq 37$ V
Residual voltage at $I_n$ (line-earth)	$\leq 70$ V
Voltage protection level $U_p$ (line-line)	$\leq 30$ V (C1 - 500 V / 250 A)
	$\leq 10$ V (B2 - 4 kV / 100 A)
Voltage protection level $U_p$ (line-earth)	$\leq 400$ V (C1 - 500 V / 250 A)
	$\leq 150$ V (B2 - 4 kV / 100 A)
Voltage protection level $U_p$ (shield-earth)	$\leq 600$ V (C2 - 4 kV / 2 kA)
Response time $t_A$ (line-line)	$\leq 500$ ns
Response time $t_A$ (line-earth)	$\leq 100$ ns
Input attenuation aE, asym.	1 dB (up to 100 MHz, 100 $\Omega$ system)
Near-end crosstalk attenuation	35 dB (pair 3-6 against pair 4-5 in 100 $\Omega$ system / 100 MHz)
Cut-off frequency $f_g$ (3 dB), sym. in 100 $\Omega$ system	> 100 MHz
Cut-off frequency $f_g$ (3 dB), sym. in 150 $\Omega$ system	> 100 MHz
Capacity (line-line)	20 pF (1 MHz)

# Surge protection device - D-LAN-A/RJ45-BS - 2818973

## Technical data

### Protective circuit

Capacity (line-earth)	1 pF (1 MHz)
Surge protection fault message	none

### Connection data

Connection method	RJ45
Connection method IN	RJ45 socket
Connection method OUT	RJ45 socket
Connection technology	Network interfaces (e.g. Ethernet, Token Ring and CDDI/FDDI)

### Standards and Regulations

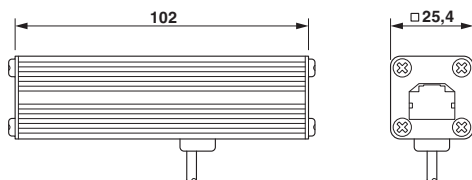
Standards/regulations	IEC 61643-21
	EN 50173

### Environmental Product Compliance

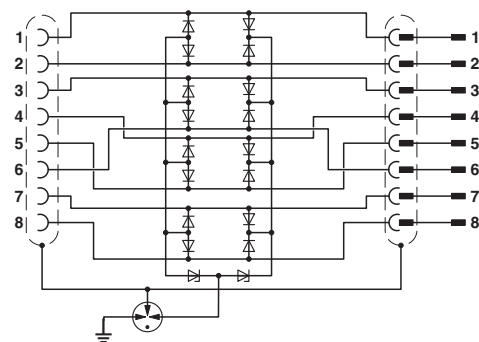
REACH SVHC	Lead 7439-92-1
China RoHS	Environmentally Friendly Use Period = 50 years
	For details about hazardous substances go to tab "Downloads", Category "Manufacturer's declaration"

## Drawings

Dimensional drawing



Circuit diagram



## Classifications

eCl@ss

eCl@ss 10.0.1	27130807
eCl@ss 11.0	27130807
eCl@ss 4.0	27130800
eCl@ss 4.1	27130800

## Surge protection device - D-LAN-A/RJ45-BS - 2818973

### Classifications

#### eCl@ss

eCl@ss 5.0	27130800
eCl@ss 5.1	27130800
eCl@ss 6.0	27130800
eCl@ss 7.0	27130807
eCl@ss 9.0	27130807

#### ETIM

ETIM 2.0	EC000943
ETIM 3.0	EC000943
ETIM 4.0	EC000943
ETIM 6.0	EC000943
ETIM 7.0	EC000943

#### UNSPSC

UNSPSC 6.01	30212010
UNSPSC 7.0901	39121610
UNSPSC 11	39121610
UNSPSC 12.01	39121610
UNSPSC 13.2	39121620
UNSPSC 18.0	39121620
UNSPSC 19.0	39121620
UNSPSC 20.0	39121620
UNSPSC 21.0	39121620

### Approvals

#### Approvals

---

Approvals

UL Listed / EAC

---


Ex Approvals

---

#### Approval details

## Surge protection device - D-LAN-A/RJ45-BS - 2818973

### Approvals

UL Listed		<a href="http://database.ul.com/cgi-bin/XYVV/template/LISEXT/1FRAME/index.htm">http://database.ul.com/cgi-bin/XYVV/template/LISEXT/1FRAME/index.htm</a>	FILE E 138168
-----------	---	---	---------------

EAC			RU C- DE.*09.B.00169
-----	---	--	-------------------------