

MCR-C-UI-UI-DCI-NC - Signal conditioner



2810939

<https://www.phoenixcontact.com/us/products/2810939>

Please be informed that the data shown in this PDF document is generated from our online catalog. Please find the complete data in the user documentation. Our general terms of use for downloads are valid.



MCR 3-way signal conditioner, with configurable input/output, for the electrical isolation of analog signals, not configured. Replacement item: 2811446 MACX MCR-UI-UI-NC.

Commercial data

Item number	2810939
Packing unit	1 pc
Note	Made to order (non-returnable)
Sales key	C401
Product key	CK1811
Catalog page	Page 360 (IF-2009)
GTIN	4017918118303
Weight per piece (including packing)	138.6 g
Weight per piece (excluding packing)	138.4 g
Customs tariff number	85437090
Country of origin	DE

MCR-C-UI-UI-DCI-NC - Signal conditioner



2810939

<https://www.phoenixcontact.com/us/products/2810939>

Technical data

Product properties

Product type	Signal conditioner
No. of channels	1

Electrical properties

Alignment span	± 2 %
Alignment zero	± 2 %
Electrical isolation between input and output	yes
Limit frequency (3 dB)	30 Hz
Maximum power dissipation for nominal condition	900 mW
Test voltage input/output	1.5 kV AC (50 Hz, 60 s)
Test voltage power supply/signal	1 kV AC (50 Hz, 60 s)
Protective circuit	Transient protection
Step response (10-90%)	11 ms
Maximum temperature coefficient	0.0075 %/K
Maximum transmission error	≤ 0.1 % (of final value)

Supply

Supply voltage range	18 V DC ... 30 V DC
Max. current consumption	< 30 mA (without load)

Input data

Signal

Number of inputs	1
Configurable/programmable	Yes, standard configuration IN 0 ... 10 V, OUT 0 ... 10 V
Voltage input signal	0 V ... 10 V (please indicate if different setting when ordering)
Max. voltage input signal	30 V
Max. current input signal	50 mA
Input resistance of voltage input	1 MΩ
Input resistance current input	50 Ω

Output data

Signal

Number of outputs	1
Configurable/programmable	Yes, unconfigured
Voltage output signal	0 V ... 10 V (please indicate if different setting when ordering)
Max. voltage output signal	15 V
Max. current output signal	30 mA
Load/output load voltage output	≥ 10 kΩ
Load/output load current output	≤ 500 Ω

MCR-C-UI-UI-DCI-NC - Signal conditioner



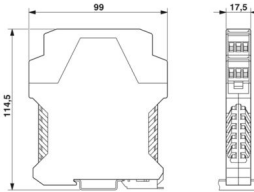
2810939

<https://www.phoenixcontact.com/us/products/2810939>

Connection data

Connection method	Pluggable screw connection
Stripping length	8 mm
Screw thread	M3
Conductor cross section rigid	0.2 mm ² ... 2.5 mm ²
Conductor cross section flexible	0.2 mm ² ... 2.5 mm ²
Conductor cross section AWG	24 ... 14

Dimensions

Dimensional drawing	
Width	17.5 mm
Height	99 mm
Depth	114.5 mm

Material specifications

Color	green (RAL 6021)
Housing material	Polyamide PA non-reinforced

Environmental and real-life conditions

Ambient conditions

Degree of protection	IP20
Ambient temperature (operation)	-20 °C ... 65 °C

Approvals

CE

Certificate	CE-compliant
-------------	--------------

UL, USA/Canada

Identification	UL 508 Recognized
	Class I, Div. 2, Groups A, B, C, D
	Class I, Zone 2, Group IIC

EMC data

Noise immunity	EN 61000-6-2
Electromagnetic compatibility	Conformance with EMC directive
Noise emission	EN 61000-6-4

Mounting

MCR-C-UI-UI-DCI-NC - Signal conditioner



2810939

<https://www.phoenixcontact.com/us/products/2810939>

Mounting type	DIN rail mounting
Mounting position	any

MCR-C-UI-UI-DCI-NC - Signal conditioner



2810939

<https://www.phoenixcontact.com/us/products/2810939>

Classifications

ECLASS

ECLASS-11.0

27210120

ETIM

ETIM 9.0

EC002653

UNSPSC

UNSPSC 21.0

39121008

MCR-C-UI-UI-DCI-NC - Signal conditioner



2810939

<https://www.phoenixcontact.com/us/products/2810939>

Environmental product compliance

China RoHS	Environmentally Friendly Use Period = 50 years For information on hazardous substances, refer to the manufacturer's declaration available under "Downloads"
------------	--

Phoenix Contact 2024 © - all rights reserved
<https://www.phoenixcontact.com>

Phoenix Contact USA
586 Fulling Mill Road
Middletown, PA 17057, United States
(+717) 944-1300
info@phoenixcon.com