

VAL-MS 120 ST - Type 2 surge protection plug



2807586

<https://www.phoenixcontact.com/us/products/2807586>

Please be informed that the data shown in this PDF document is generated from our online catalog. Please find the complete data in the user documentation. Our general terms of use for downloads are valid.



Surge protection connector type 2 with high-capacity varistor for VAL-MS base element, thermal monitoring, visual fault warning. Design: 120 V AC

Your advantages

- Quality proven millions of times over in the widest range of applications
- Rapid installation with bridges, thanks to industry-standard overall width of 1 HP
- Easy testing and insulation measurement, thanks to pluggable protection modules
- Wide range of applications due to various nominal voltages
- High degree of modularity provides individual solutions for every application

Commercial data

Item number	2807586
Packing unit	10 pc
Minimum order quantity	10 pc
Sales key	CL18
Product key	CL1321
Catalog page	Page 66 (C-4-2019)
GTIN	4017918075279
Weight per piece (including packing)	35.44 g
Weight per piece (excluding packing)	34.4 g
Customs tariff number	85363030
Country of origin	DE

VAL-MS 120 ST - Type 2 surge protection plug

2807586

<https://www.phoenixcontact.com/us/products/2807586>

Technical data

Notes

General	Use in DC applications on request
---------	-----------------------------------

Product properties

IEC test classification	II
	T2
EN type	T2
IEC power supply system	TN
Type	DIN rail module, two-section, divisible
Product type	Replacement plug
Product family	VALVETRAB MS
Number of positions	1
Surge protection fault message	optical
Arrester can be tested with CHECKMASTER from software version:	From SW rev. 1.10

Insulation characteristics

Overvoltage category	III
Pollution degree	2

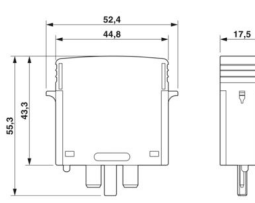
Electrical properties

Nominal frequency f_N	50 Hz (60 Hz)
-------------------------	---------------

Connection data

Connection method	pluggable
-------------------	-----------

Dimensions

Dimensional drawing	
Width	17.5 mm
Height	52.4 mm
Depth	55.3 mm
Horizontal pitch	1 Div.

Material specifications

Color	black (RAL 9005)
Flammability rating according to UL 94	V-0
CTI value of material	600

VAL-MS 120 ST - Type 2 surge protection plug



2807586

<https://www.phoenixcontact.com/us/products/2807586>

Insulating material	PA 6.6
Material group	I
Housing material	PA 6.6

Protective circuit

Mode of protection	L-N
	L-PEN
Direction of action	1L-N/PE
Nominal voltage U_N	120/208 V AC (TN)
Nominal frequency f_N	50 Hz (60 Hz)
Maximum continuous voltage U_C	150 V AC
Residual current I_{PE}	≤ 0.45 mA
Standby power consumption P_C	≤ 70.00 mVA
Nominal discharge current I_n (8/20) μ s	20 kA
Maximum discharge current I_{max} (8/20) μ s	40 kA
Short-circuit current rating I_{SCCR}	25 kA
Voltage protection level U_p	≤ 0.9 kV
Residual voltage U_{res}	≤ 0.9 kV (at I_n)
	≤ 0.7 kV (at 10 kA)
	≤ 0.55 kV (at 5 kA)
	≤ 0.55 kV (at 3 kA)
TOV behavior at U_T	175 V AC (5 s / withstand mode)
	230 V AC (120 min / safe failure mode)
Response time t_A	≤ 25 ns
Max. backup fuse with branch wiring	125 A (gG)

Environmental and real-life conditions

Ambient conditions

Degree of protection	IP20
Ambient temperature (operation)	-40 °C ... 80 °C
Ambient temperature (storage/transport)	-40 °C ... 80 °C
Altitude	≤ 2000 m (amsl)
Permissible humidity (operation)	5 % ... 95 %
Shock (operation)	25g (Half-sine / 11 ms / 3x \pm X, \pm Y, \pm Z)
Vibration (operation)	5g (10 ... 500 Hz / 2.5 h / X, Y, Z)

Approvals

UL specifications

Maximum continuous operating voltage MCOV (L-N)	150 V AC
Nominal discharge current I_n (L-N)	20 kA
Mode of protection	L-N
Nominal voltage	120 V AC
Power distribution system	Single phase

VAL-MS 120 ST - Type 2 surge protection plug



2807586

<https://www.phoenixcontact.com/us/products/2807586>

Nominal frequency	50/60 Hz
Measured limiting voltage MLV (L-N)	1490 V
SPD Type	4CA

Standards and regulations

Standards/specifications	IEC 61643-11
Note	2011
Standards/specifications	EN 61643-11
Note	2012

Mounting

Mounting type	on base element
---------------	-----------------

VAL-MS 120 ST - Type 2 surge protection plug



2807586

<https://www.phoenixcontact.com/us/products/2807586>

Classifications

ECLASS

ECLASS-11.0	27130890
ECLASS-13.0	27171292

ETIM

ETIM 9.0	EC002496
----------	----------

UNSPSC

UNSPSC 21.0	39121600
-------------	----------

VAL-MS 120 ST - Type 2 surge protection plug



2807586

<https://www.phoenixcontact.com/us/products/2807586>

Environmental product compliance

China RoHS	Environmentally friendly use period: unlimited = EFUP-e No hazardous substances above threshold values
------------	-----------------------------------------------------------------------------------------------------------

Phoenix Contact 2024 © - all rights reserved
<https://www.phoenixcontact.com>

Phoenix Contact USA
586 Fulling Mill Road
Middletown, PA 17057, United States
(+717) 944-1300
info@phoenixcon.com