

CN-UB-70DC-6-SB - Surge protection device



2803153

<https://www.phoenixcontact.com/us/products/2803153>

Please be informed that the data shown in this PDF document is generated from our online catalog. Please find the complete data in the user documentation. Our general terms of use for downloads are valid.



Attachment plug with surge protection for coaxial signal interfaces. Connection: N connector, male/female

Commercial data

Item number	2803153
Packing unit	1 pc
Note	Made to order (non-returnable)
Sales key	CL25
Product key	CL3311
Catalog page	Page 176 (C-4-2017)
GTIN	4046356293204
Weight per piece (including packing)	83.1 g
Weight per piece (excluding packing)	83.1 g
Customs tariff number	85363010
Country of origin	US

CN-UB-70DC-6-SB - Surge protection device



2803153

<https://www.phoenixcontact.com/us/products/2803153>

Technical data

Notes

General

Note	To meet the discharge conditions for DC voltages, please note the following information: "The surge protective device should be used together with a transmitter unit, which shuts down in the event of a short-circuit."
------	---

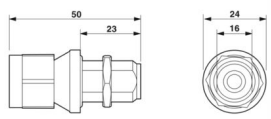
Product properties

IEC test classification	C2
	C3
	D1
VDE requirement class	C2
	C3
	D1
Type	Attachment plug
Product type	Surge protection for transceiver systems
Surge protection fault message	none

Connection data

Connection method	N connector 50 Ω
-------------------	------------------

Dimensions

Dimensional drawing	
Width	24 mm
Height	24 mm
Depth	50 mm

Material specifications

Color	Nickel
Seal material	Silicon
Housing surface material	Nickel
Housing material	Brass (CuZn)
Inner conductor material	BeCu
Inner conductor surface material	Gold
Insulation body material	PTFE

Mechanical properties

Mechanical data

CN-UB-70DC-6-SB - Surge protection device



2803153

<https://www.phoenixcontact.com/us/products/2803153>

Open side panel	No
-----------------	----

Protective circuit

Direction of action	Line-Shield/Earth Ground
Maximum continuous voltage U_C	70 V DC
	50 V AC
Maximum continuous voltage U_C (line-earth)	70 V DC
	50 V AC
Rated current	10 A
Operating effective current I_C at U_C	$\leq 1 \mu\text{A}$
Nominal discharge current I_n (8/20) μs	5 kA
Nominal discharge current I_n (8/20) μs (line-ground)	5 kA
Nominal discharge current I_n (8/20) μs (line-shield)	5 kA
Pulse discharge current I_{imp} (10/350) μs	1 kA
Pulse discharge current I_{imp} (10/350) μs (line-earth)	1 kA
Max. discharge current I_{max} (8/20) μs maximum (line-earth)	10 kA
Max. discharge current I_{max} (8/20) μs maximum (line-shield)	10 kA
Nominal pulse current I_{an} (10/1000) μs (line-shield)	100 A
Impulse discharge current (10/350) μs , peak value I_{imp}	1 kA
Output voltage limitation at 1 kV/ μs (line-earth) spike	$\leq 650 \text{ V}$
Output voltage limitation at 1 kV/ μs (line-shield) spike	$\leq 650 \text{ V}$
Output voltage limitation at 1 kV/ μs (line-earth) static	$\leq 650 \text{ V}$
Output voltage limitation at 1 kV/ μs (line-shield) static	$\leq 650 \text{ V}$
Voltage protection level U_p (line-earth)	$\leq 800 \text{ V}$ (C2 - 4 kV / 2 kA)
	$\leq 1 \text{ kV}$ (C2 - 10 kV / 5 kA)
Voltage protection level U_p (line-shield)	$\leq 800 \text{ V}$ (C2 - 4 kV / 2 kA)
	$\leq 1 \text{ kV}$ (C2 - 10 kV / 5 kA)
Response time t_A (line-earth)	$\leq 100 \text{ ns}$
Response time t_A (line-shield)	$\leq 100 \text{ ns}$
Input attenuation a_E , asym.	0.1 dB ($\leq 6 \text{ GHz}$)
Cut-off frequency f_g (3 dB), asym. (shield) in 50 Ω system	$> 6 \text{ GHz}$
Frequency range	0 Hz ... 6 GHz
Voltage standing wave ratio VSWR in a 50 Ω system	typ. 1.15 ($\leq 6 \text{ GHz}$)
Permissible HF power P_{max} at VSWR = xx (50 ohm system)	30 W (VSWR = 1.15)
Capacity (Core-Earth)	typ. 1.5 pF
Capacity asymmetrical (shield)	typ. 1.5 pF
Surge protection fault message	none
Impulse durability (line-earth)	C2 - 10 kV / 5 kA
	C3 - 100 A
	D1 - 1 kA
Impulse durability (line-shield)	C2 - 10 kV/5 kA
	C3 - 100 A
	D1 - 1 kA
Alternating current carrying capacity (line-shield)	5 A - 1 s

CN-UB-70DC-6-SB - Surge protection device



2803153

<https://www.phoenixcontact.com/us/products/2803153>

Environmental and real-life conditions

Ambient conditions

Degree of protection	IP68
	IP68
Ambient temperature (operation)	-40 °C ... 90 °C

Standards and regulations

VDE requirement class	C2
	C3
	D1

Air clearances and creepage distances

Standards/regulations	DIN VDE 0110-1 / IEC 60664-1
-----------------------	------------------------------

Standards Information technology specification

Standards/regulations	IEC 61643-21
	IEC 61643-21
Standards/specifications	IEC 61643-21
Note	2000

Mounting

Mounting type	Connection-specific intermediate plugging
---------------	---

CN-UB-70DC-6-SB - Surge protection device



2803153

<https://www.phoenixcontact.com/us/products/2803153>

Classifications

ECLASS

ECLASS-11.0	27130807
ECLASS-13.0	27171504

ETIM

ETIM 9.0	EC000943
----------	----------

UNSPSC

UNSPSC 21.0	39121600
-------------	----------

Phoenix Contact 2024 © - all rights reserved

<https://www.phoenixcontact.com>

Phoenix Contact USA
586 Fulling Mill Road
Middletown, PA 17057, United States
(+717) 944-1300
info@phoenixcon.com