

# VAL-MS-T1/T2 48/12.5/1+0 - Lightning/surge arrester type 1/2



2801241

<https://www.phoenixcontact.com/us/products/2801241>

Please be informed that the data shown in this PDF document is generated from our online catalog. Please find the complete data in the user documentation. Our general terms of use for downloads are valid.



Universal varistor-based plug-in lightning/surge arrester for 1-phase power supply networks with common N and PE (2-conductor system: L1, PEN).

## Your advantages

- Quality proven millions of times over in the widest range of applications
- Rapid installation with bridges, thanks to industry-standard overall width of 1 HP
- Easy testing and insulation measurement, thanks to pluggable protection modules
- Surge protection for (-) 48 V DC in lightning protection level III and IV due to discharge capacity of 12.5 kA per position
- Vibration-resistant latching ensures the plug remains firmly in place

## Commercial data

Item number	2801241
Packing unit	1 pc
Minimum order quantity	1 pc
Sales key	CL18
Product key	CL1151
Catalog page	Page 48 (C-4-2019)
GTIN	4046356750172
Weight per piece (including packing)	147.6 g
Weight per piece (excluding packing)	124.76 g
Customs tariff number	85363030
Country of origin	DE

# VAL-MS-T1/T2 48/12.5/1+0 - Lightning/surge arrester type 1/2



2801241

<https://www.phoenixcontact.com/us/products/2801241>

## Technical data

### Product properties

IEC test classification	I / II
	T1 / T2
EN type	T1 / T2
IEC power supply system	TN-C
Type	DIN rail module, two-section, divisible
Product type	Arrester combination
Product family	VALVETRAB MS
Surge protection fault message	optical

### Insulation characteristics

Overvoltage category	III
Pollution degree	2

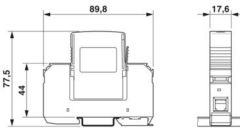
### Electrical properties

Nominal frequency $f_N$	50 Hz (60 Hz)
-------------------------	---------------

### Connection data

Connection method	Screw connection
Screw thread	M5
Tightening torque	3 Nm (1.5 mm <sup>2</sup> ... 16 mm <sup>2</sup> ) 4.5 Nm (25 mm <sup>2</sup> ... 35 mm <sup>2</sup> )
Stripping length	16 mm
Conductor cross section flexible	1.5 mm <sup>2</sup> ... 25 mm <sup>2</sup>
Conductor cross section rigid	1.5 mm <sup>2</sup> ... 35 mm <sup>2</sup>
Conductor cross section AWG	15 ... 2
Connection method	Fork-type cable lug
Conductor cross section flexible	1.5 mm <sup>2</sup> ... 16 mm <sup>2</sup>

### Dimensions

Dimensional drawing	
Width	17.6 mm
Height	89.8 mm
Depth	77.5 mm (incl. DIN rail 7.5 mm)
Horizontal pitch	1 Div.

### Material specifications

Color	black (RAL 9005)
-------	------------------

# VAL-MS-T1/T2 48/12.5/1+0 - Lightning/surge arrester type 1/2



2801241

<https://www.phoenixcontact.com/us/products/2801241>

	black (RAL 9005)
Flammability rating according to UL 94	V-0
CTI value of material	600
Insulating material	PA 6.6/PBT
Material group	I
Housing material	PA 6.6
	PBT

## Mechanical properties

### Mechanical data

Open side panel	No
-----------------	----

## Protective circuit

Mode of protection	L-N
	L-PEN
	(L+) - (L-)
	(L-) - PE
	(L+) - PE
Direction of action	L-N / L-PEN
Nominal voltage $U_N$	60 V AC $\pm 10\%$ (TN)
	60 V DC $\pm 10\%$
	-48 V DC $\pm 10\%$ (RRH)
Nominal frequency $f_N$	50 Hz (60 Hz)
Maximum continuous voltage $U_C$	75 V AC
	100 V DC
Rated load current $I_L$	80 A
Residual current $I_{PE}$	$\leq 0.6$ mA
Standby power consumption $P_C$	$\leq 45.00$ mVA
Nominal discharge current $I_n$ (8/20) $\mu$ s	12.5 kA
Maximum discharge current $I_{max}$ (8/20) $\mu$ s	30 kA
Impulse discharge current (10/350) $\mu$ s, charge	6.25 As
Impulse discharge current (10/350) $\mu$ s, specific energy	39 kJ/ $\Omega$
Impulse discharge current (10/350) $\mu$ s, peak value $I_{imp}$	12.5 kA
Short-circuit current rating $I_{SCCR}$	25 kA
Voltage protection level $U_p$	$\leq 0.4$ kV
Residual voltage $U_{res}$	$\leq 0.4$ kV (at $I_n$ )
	$\leq 0.35$ kV (at 10 kA)
	$\leq 0.3$ kV (at 5 kA)
	$\leq 0.275$ kV (at 4 kA)
	$\leq 0.25$ kV (at 3 kA)
TOV behavior at $U_T$	100 V AC (5 s / withstand mode)
	130 V DC (5 s / withstand mode)
Response time $t_A$	$\leq 25$ ns
Max. backup fuse with V-type through wiring	80 A (gG - 16 mm <sup>2</sup> )

# VAL-MS-T1/T2 48/12.5/1+0 - Lightning/surge arrester type 1/2



2801241

<https://www.phoenixcontact.com/us/products/2801241>

Max. backup fuse with branch wiring	160 A (gG)
-------------------------------------	------------

## Additional technical data

Maximum discharge current $I_{\max}$ (8/20) $\mu\text{s}$	65 kA
---	-------

## Environmental and real-life conditions

### Ambient conditions

Degree of protection	IP20 (only when all terminal points are used)
Ambient temperature (operation)	-40 °C ... 80 °C
Ambient temperature (storage/transport)	-40 °C ... 80 °C
Altitude	$\leq 2000$ m (amsl)
Permissible humidity (operation)	5 % ... 95 %
Shock (operation)	30g (Half-sine / 11 ms / 3x $\pm X$ , $\pm Y$ , $\pm Z$ )
Vibration (operation)	7.5g (10 ... 500 Hz / 2.5 h / X, Y, Z)

## Approvals

### UL specifications

Maximum continuous operating voltage MCOV (L+) - (L-)	100 V DC
Short-circuit current rating (SCCR)	5 kA
Voltage protection rating VPR (L+) - (L-)	400 V
Nominal discharge current $I_n$ (L+) - (L-)	20 kA
Mode of protection	(L+) - (L-)
Nominal voltage	60 V DC
SPD Type	1CA

### UL connection data

Tightening torque	30 lb <sub>f</sub> -in.
Conductor cross section AWG	14 ... 2

## Standards and regulations

Standards/specifications	IEC 61643-11
Note	2011
Standards/specifications	EN 61643-11
Note	2012

## Mounting

Mounting type	DIN rail: 35 mm
---------------	-----------------

# VAL-MS-T1/T2 48/12.5/1+0 - Lightning/surge arrester type 1/2



2801241

<https://www.phoenixcontact.com/us/products/2801241>

## Classifications

### ECLASS

ECLASS-11.0	27130802
ECLASS-13.0	27171201

### ETIM

ETIM 9.0	EC000381
----------	----------

### UNSPSC

UNSPSC 21.0	39121600
-------------	----------

# VAL-MS-T1/T2 48/12.5/1+0 - Lightning/surge arrester type 1/2



2801241

<https://www.phoenixcontact.com/us/products/2801241>

## Environmental product compliance

China RoHS	Environmentally friendly use period: unlimited = EFUP-e No hazardous substances above threshold values
------------	---

Phoenix Contact 2024 © - all rights reserved  
<https://www.phoenixcontact.com>

Phoenix Contact USA  
586 Fulling Mill Road  
Middletown, PA 17057, United States  
(+717) 944-1300  
[info@phoenixcon.com](mailto:info@phoenixcon.com)