

# PT-IQ-1X2-24DC-UT - Surge protection device



2800976

<https://www.phoenixcontact.com/us/products/2800976>

Please be informed that the data shown in this PDF document is generated from our online catalog. Please find the complete data in the user documentation. Our general terms of use for downloads are valid.



Surge protection, consisting of protective plug and base element, with integrated multi-stage status indicator on the module, for one 2-wire floating signal circuit, HART-compatible.

## Your advantages

- Predictive monitoring with 3-stage LED display
- Integration of the status message into the system controller via group remote signaling
- Install quickly and error-free with DIN rail connectors
- Maximum ease of maintenance, thanks to the 2-piece design
- Maximum protection for MCR applications with high discharge capacity

## Commercial data

Item number	2800976
Packing unit	1 pc
Minimum order quantity	1 pc
Sales key	CL22
Product key	CL2151
Catalog page	Page 120 (C-4-2019)
GTIN	4046356665186
Weight per piece (including packing)	108.9 g
Weight per piece (excluding packing)	105.8 g
Customs tariff number	85363010
Country of origin	DE

# PT-IQ-1X2-24DC-UT - Surge protection device

2800976

<https://www.phoenixcontact.com/us/products/2800976>

## Technical data

### Notes

#### General

Note	Remote signaling as well as the power supply of the DIN rail connector are established by snapping the module into place on the DIN rail connector.
------	---

### Product properties

IEC test classification	C1
	C2
	C3
	D1
Type	DIN rail module, two-section, divisible
Product type	Surge protection for MCR technology
Product family	PLUGTRAB IQ
Surge protection fault message	Optical, multi-stage
Wire pairs per module	1

#### Insulation characteristics

Overvoltage category	III
Pollution degree	2

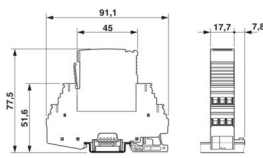
### Electrical properties

Nominal voltage $U_N$	24 V DC
-----------------------	---------

### Connection data

Connection method	Screw connection
Screw thread	M3
Tightening torque	0.5 Nm
Conductor cross section flexible	0.2 mm <sup>2</sup> ... 2.5 mm <sup>2</sup>
Conductor cross section rigid	0.2 mm <sup>2</sup> ... 4 mm <sup>2</sup>
Conductor cross section AWG	24 ... 12

### Dimensions

Dimensional drawing	
Width	17.7 mm
Height	91.1 mm
Depth	77.5 mm (incl. DIN rail 7.5 mm)

# PT-IQ-1X2-24DC-UT - Surge protection device



2800976

<https://www.phoenixcontact.com/us/products/2800976>

Horizontal pitch	1 Div.
------------------	--------

## Material specifications

Color	black (RAL 9005)
	black (RAL 9005)
Flammability rating according to UL 94	V-0
Housing material	PA 6.6

## Mechanical properties

### Mechanical data

Open side panel	No
-----------------	----

## Protective circuit

Direction of action	Line-Line & Line-Signal Ground/Shield & optional Signal Ground/Shield-Earth Ground
Maximum continuous voltage $U_C$	30 V DC
	21 V AC
Rated current	1000 mA (40 °C)
Operating effective current $I_C$ at $U_C$	$\leq 1$ mA (in the signal circuit)
Residual current $I_{PE}$	$\leq 2$ $\mu$ A (per signal circuit)
Nominal discharge current $I_n$ (8/20) $\mu$ s (line-line)	10 kA
Nominal discharge current $I_n$ (8/20) $\mu$ s (line-ground)	10 kA
Pulse discharge current $I_{imp}$ (10/350) $\mu$ s (line-earth)	2.5 kA
Total discharge current $I_{total}$ (8/20) $\mu$ s	20 kA
Voltage protection level $U_p$ (line-line)	$\leq 80$ V (C1 - 1 kV / 500 A)
	$\leq 130$ V (C2 - 10 kV / 5 kA)
	$\leq 150$ V (C2 - 10 kA)
	$\leq 55$ V (C3 - 25 A)
	$\leq 60$ V (C3 - 100 A)
Voltage protection level $U_p$ (line-earth)	$\leq 600$ V (C1 - 1 kV / 500 A)
	$\leq 750$ V (C2 - 10 kV / 5 kA)
	$\leq 800$ V (C2 - 10 kA)
	$\leq 700$ V (C3 - 25 A)
	$\leq 800$ V (C3 - 100 A)
Voltage protection level $U_p$ static (line-line)	$\leq 65$ V (C1 - 1 kV / 500 A)
	$\leq 65$ V (C2 - 10 kA)
Response time $t_A$ (line-line)	$\leq 1$ ns
Response time $t_A$ (line-earth)	$\leq 100$ ns
Input attenuation aE, sym.	typ. 0.3 dB ( $\leq 270$ kHz/150 $\Omega$ )
Cut-off frequency $f_g$ (3 dB), sym. in 150 $\Omega$ system	typ. 1.1 MHz
Capacity (Core-Core)	typ. 2 nF
Resistance per path	1.2 $\Omega \pm 5$ %
Surge protection fault message	Optical, multi-stage
Max. required back-up fuse	1 A (FF)

# PT-IQ-1X2-24DC-UT - Surge protection device



2800976

<https://www.phoenixcontact.com/us/products/2800976>

Impulse durability (line-line)	C1 - 1 kV / 500 A
	C2 - 10 kV / 5 kA
	C2 - 10 kA
	C3 - 100 A
Impulse durability (line-earth)	C1 - 1 kV / 500 A
	C2 - 10 kV / 5 kA
	C2 - 10 kA
	C3 - 100 A
	D1 - 2.5 kA
Pulse reset time (line-line)	≤ 4000 ms
Pulse reset time (line-earth)	≤ 2600 ms

## Environmental and real-life conditions

### Ambient conditions

Degree of protection	IP20
Ambient temperature (operation)	-40 °C ... 70 °C
Ambient temperature (storage/transport)	-40 °C ... 85 °C
Altitude	≤ 4000 m (amsl)
Permissible humidity (operation)	5 % ... 95 %

## Standards and regulations

Standards/specifications	IEC 61643-21
Note	2000 + A1:2008, modified
Standards/specifications	EN 61643-21
Note	2001 + A1:2009
Standards/specifications	EN 61000-6-3
Note	2007 + A1:2011
Standards/specifications	EN 61000-6-2
Note	2005

## Mounting

Mounting type	DIN rail: 35 mm
---------------	-----------------

# PT-IQ-1X2-24DC-UT - Surge protection device



2800976

<https://www.phoenixcontact.com/us/products/2800976>

## Classifications

### ECLASS

ECLASS-11.0	27130807
ECLASS-13.0	27171501

### ETIM

ETIM 9.0	EC001625
----------	----------

### UNSPSC

UNSPSC 21.0	39121600
-------------	----------

# PT-IQ-1X2-24DC-UT - Surge protection device



2800976

<https://www.phoenixcontact.com/us/products/2800976>

## Environmental product compliance

REACH SVHC	Lead 7439-92-1
China RoHS	Environmentally Friendly Use Period = 50 years
	For information on hazardous substances, refer to the manufacturer's declaration available under "Downloads"

Phoenix Contact 2024 © - all rights reserved

<https://www.phoenixcontact.com>

Phoenix Contact USA  
586 Fulling Mill Road  
Middletown, PA 17057, United States  
(+717) 944-1300  
[info@phoenixcon.com](mailto:info@phoenixcon.com)