

SUBCON-PLUS M1 - D-SUB bus connector



2761826

<https://www.phoenixcontact.com/us/products/2761826>

Please be informed that the data shown in this PDF document is generated from our online catalog. Please find the complete data in the user documentation. Our general terms of use for downloads are valid.



D-SUB connector, 9-pos., male connector, two 35° cable entries, bus system: Modbus, Modbus Plus, BITBUS, ARCNET, MULT/MININET (B&R), SYSTEM 2003 (B&R), P-NET, pin assignment: 1, 2, 3, 5, 6, 8 to two screw connection terminal blocks

Product description

Two cable infeeds are often required on the D-SUB plugs used in order to build fieldbus systems with RS-485 interfaces. The SUBCON-PLUS plugs range fulfills this requirement and routes the connection to screw terminal blocks – however, duplicated – for two cables. This means clarity during wiring and it simplifies every startup. These plugs are of course also shielded against EMC influences with a metallized housing. In addition, by placing the connection block in either the upper or lower shell, it is possible to select the cable infeed on site from the right or left .

Your advantages

- Separate terminal blocks for each cable
- Assembly under field conditions
- High transmission speed
- Easy assembly thanks to knurled screws
- High level of EMC
- Flexibility in terms of cable entry selection
- Can be used universally
- Change to the D-SUB orientation through a reversible connection block

Commercial data

Item number	2761826
Packing unit	1 pc
Minimum order quantity	1 pc
Sales key	DN10
Product key	DNC521
Catalog page	Page 450 (C-6-2019)
GTIN	4017918131821
Weight per piece (including packing)	75.5 g
Weight per piece (excluding packing)	75.5 g
Customs tariff number	85366990
Country of origin	DE

SUBCON-PLUS M1 - D-SUB bus connector



2761826

<https://www.phoenixcontact.com/us/products/2761826>

Technical data

Notes

Utilization restriction

CCCex note	Use in potentially explosive areas is not permitted in China.
------------	---

Product properties

Product type	Data plug
MTTF	6706 Years (SN 29500 standard, temperature 25°C, operating cycle 21%)
	1817 Years (SN 29500 standard, temperature 40°C, operating cycle 34.25%)
	155 Years (SN 29500 standard, temperature 40°C, operating cycle 100%)
Pin assignment	1, 2, 3, 5, 6, 8 on two terminal blocks

Electrical properties

Nominal voltage U_N	50 V DC
Nominal current I_N	100 mA
Transmission medium	Copper

Connection data

D-SUB connection

Connection method	D-SUB connector
-------------------	-----------------

PCB connection

Connection method	Screw connection
Stripping length	5 mm
Conductor cross section, rigid min.	0.14 mm ²
Conductor cross section, rigid max.	1.5 mm ²
Conductor cross section flexible min.	0.14 mm ²
Conductor cross section flexible max.	1 mm ²
Single-wire/terminal point, rigid AWG min.	26
Single-wire/terminal point, rigid AWG max.	16
Min. AWG conductor cross section, flexible	26
Max. AWG conductor cross section, flexible	18

Interfaces

Bus system	Modbus, BODBUS-PLUS, BITBUS, ARCNET, MULT/MININET(B&R), SYSTEM 2003(B&R), P-NET
Signal	RS-485

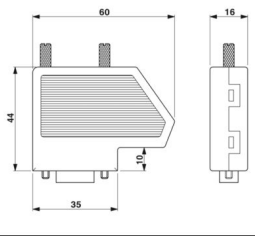
Dimensions

SUBCON-PLUS M1 - D-SUB bus connector



2761826

<https://www.phoenixcontact.com/us/products/2761826>

Dimensional drawing	
Width	16 mm
Height	44 mm
Length	60 mm

Material specifications

Material Housing	ABS, metal-plated
------------------	-------------------

Cable/line

External cable diameter ()	6 mm ... 10 mm (Incoming bus line)
-----------------------------	------------------------------------

Mechanical properties

Mechanical data

Insertion/withdrawal cycles	> 200
-----------------------------	-------

Environmental and real-life conditions

Ambient conditions

Degree of protection	IP40
Ambient temperature (operation)	-20 °C ... 75 °C
Ambient temperature (storage/transport)	-25 °C ... 80 °C
Altitude	≤ 5000 m (For restrictions, see the manufacturer's declaration for altitude operation)
Permissible humidity (operation)	10 % ... 95 % (non-condensing)
Permissible humidity (storage/transport)	5 % ... 95 % (non-condensing)

Approvals

EAC

Identification	EAC
----------------	-----

ATEX

Identification	Ⓔ II 3 G Ex nA IIC T4 Gc X
Note	Please follow the special installation instructions in the documentation!

Corrosive gas test

Identification	ISA-S71.04-1985 G3 Harsh Group A
----------------	----------------------------------

Standards and regulations

SUBCON-PLUS M1 - D-SUB bus connector



2761826

<https://www.phoenixcontact.com/us/products/2761826>

Free from substances that could impair the application of coating

in accordance with VW-AUDI-Seat central standard P-VW 3.10.7
57 65 0

SUBCON-PLUS M1 - D-SUB bus connector



2761826

<https://www.phoenixcontact.com/us/products/2761826>

Classifications

ECLASS

ECLASS-11.0	27440302
ECLASS-12.0	27440302
ECLASS-13.0	27440302

ETIM

ETIM 9.0	EC001132
----------	----------

UNSPSC

UNSPSC 21.0	39121400
-------------	----------

SUBCON-PLUS M1 - D-SUB bus connector



2761826

<https://www.phoenixcontact.com/us/products/2761826>

Environmental product compliance

China RoHS	Environmentally friendly use period: unlimited = EFUP-e
	No hazardous substances above threshold values

Phoenix Contact 2024 © - all rights reserved
<https://www.phoenixcontact.com>

Phoenix Contact USA
586 Fulling Mill Road
Middletown, PA 17057, United States
(+717) 944-1300
info@phoenixcon.com