

# FL CAT5 TERMINAL BOX - Patch panel



2744610

<https://www.phoenixcontact.com/us/products/2744610>

Please be informed that the data shown in this PDF document is generated from our online catalog. Please find the complete data in the user documentation. Our general terms of use for downloads are valid.



Patch panel, one RJ45 jack to 4 screw connection terminal blocks (assignment 1, 2, 3, 6), CAT5e, 10/100 Mbps, DIN rail adapter, IP20, shield contacting on DIN rail

## Product description

Ethernet patch panels enable quick and easy connection between the field cabling and control cabinet cabling. The passive termination panels are a convenient alternative to the on-site assembly of RJ45 connectors.

## Your advantages

- Safe shield connection to ground potential
- Mounting on a DIN rail
- 10/100 Mbps
- CAT5e
- Shipbuilding approval in accordance with DNV GL

## Commercial data

Item number	2744610
Packing unit	10 pc
Minimum order quantity	10 pc
Sales key	DN07
Product key	DNC331
Catalog page	Page 362 (C-6-2019)
GTIN	4017918819477
Weight per piece (including packing)	53.76 g
Weight per piece (excluding packing)	42.748 g
Customs tariff number	85369010
Country of origin	US

# FL CAT5 TERMINAL BOX - Patch panel



2744610

<https://www.phoenixcontact.com/us/products/2744610>

## Technical data

### Product properties

Product type	Patch panel
MTBF	6702 Years (Telcordia standard, 25°C temperature, 21% operating cycle (5 days a week, 8 hours a day))
	2962 Years (Telcordia standard, 40°C temperature, 34.25% operating cycle (5 days a week, 12 hours a day))

### Electrical properties

#### Supply

Typical current consumption	< 1 A
-----------------------------	-------

### Interfaces

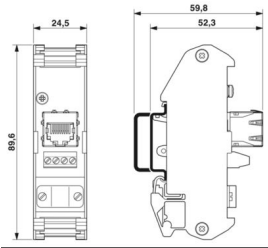
Data: Ethernet interface, 10/100Base-T(X) in accordance with IEEE 802.3

Serial transmission speed	10/100 Mbps
Connection method	Screw connection
No. of channels	1
Tightening torque	0.22 Nm ... 0.25 Nm
Pin assignment	1:1
Transmission length	100 m (including patch cables)
Single conductor/terminal point, rigid	0.14 mm <sup>2</sup> ... 1.5 mm <sup>2</sup>
Single-wire/terminal point, flexible	0.14 mm <sup>2</sup> ... 1 mm <sup>2</sup>
Single-wire/terminal point, rigid AWG max.	16
Single-wire/terminal point, rigid AWG min.	26

Data: Ethernet interface, 10/100Base-T(X) in accordance with IEEE 802.3

Connection method	RJ45 CAT5e
No. of channels	1

### Dimensions

Dimensional drawing	
Width	25 mm
Height	90 mm
Depth	52 mm

### Material specifications

# FL CAT5 TERMINAL BOX - Patch panel



2744610

<https://www.phoenixcontact.com/us/products/2744610>

Color (Housing)	green (RAL 6021)
Material Housing	PVC / PA

## Cable/line

External cable diameter ( )	6 mm ... 10 mm
Cable impedance	100 $\Omega$

## Mechanical properties

### Mechanical data

Insertion/withdrawal cycles	$\leq$ 2500
-----------------------------	-------------

## Environmental and real-life conditions

### Ambient conditions

Degree of protection	IP20
Ambient temperature (operation)	-25 °C ... 70 °C
Ambient temperature (storage/transport)	-25 °C ... 85 °C
Ambient temperature (assembly)	-10 °C ... 70 °C
Permissible humidity (operation)	25 % ... 95 % (non-condensing)

## Approvals

### EAC

Identification	EAC
----------------	-----

### Shipbuilding

Identification	DNV GL
----------------	--------

### DNV GL data

Temperature	B
Humidity	A
Vibration	A
EMC	B
Enclosure	Required protection according to the Rules shall be provided upon installation on board

## Mounting

Mounting type	DIN rail mounting
---------------	-------------------

# FL CAT5 TERMINAL BOX - Patch panel



2744610

<https://www.phoenixcontact.com/us/products/2744610>

## Classifications

### ECLASS

ECLASS-11.0	19170112
ECLASS-12.0	19170112
ECLASS-13.0	19170112

### ETIM

ETIM 9.0	EC002697
----------	----------

### UNSPSC

UNSPSC 21.0	43223300
-------------	----------

# FL CAT5 TERMINAL BOX - Patch panel



2744610

<https://www.phoenixcontact.com/us/products/2744610>

## Environmental product compliance

REACH SVHC	Lead 7439-92-1
China RoHS	Environmentally Friendly Use Period = 50 years
	For information on hazardous substances, refer to the manufacturer's declaration available under "Downloads"

Phoenix Contact 2024 © - all rights reserved

<https://www.phoenixcontact.com>

Phoenix Contact USA  
586 Fulling Mill Road  
Middletown, PA 17057, United States  
(+717) 944-1300  
[info@phoenixcon.com](mailto:info@phoenixcon.com)