

SUBCON-PLUS-PROFIB/AX/SC - D-SUB bus connector



2744380

<https://www.phoenixcontact.com/us/products/2744380>

Please be informed that the data shown in this PDF document is generated from our online catalog. Please find the complete data in the user documentation. Our general terms of use for downloads are valid.



D-SUB connector, 9-pos., male connector, axial version with two cable entries, bus system: PROFIBUS DP up to 12 Mbps, termination resistor can be switched on via slide switch, pin assignment: 3, 5, 6, 8; screw connection terminal blocks

Product description

The D-SUB series, SUBCON-PLUS-PROFIB/... was specially designed for use in PROFIBUS systems up to 12 Mbps. Under field conditions, it allows convenient and fast connection of the incoming and outgoing bus cable. The terminating resistor is already integrated in all versions. It can be connected externally by means of a slide switch. At the same time, the outgoing bus segment is switched off. This makes it easy to start up segment by segment while incorrect terminations are avoided.

Commercial data

Item number	2744380
Packing unit	1 pc
Minimum order quantity	1 pc
Sales key	DN10
Product key	DNC531
Catalog page	Page 447 (C-6-2019)
GTIN	4017918818142
Weight per piece (including packing)	53.6 g
Weight per piece (excluding packing)	51.16 g
Customs tariff number	85366990
Country of origin	DE

SUBCON-PLUS-PROFIB/AX/SC - D-SUB bus connector



2744380

<https://www.phoenixcontact.com/us/products/2744380>

Technical data

Notes

Utilization restriction

CCCex note	Use in potentially explosive areas is not permitted in China.
------------	---

Product properties

Product type	Data plug
MTTF	6706 Years (SN 29500 standard, temperature 25°C, operating cycle 21%)
	1817 Years (SN 29500 standard, temperature 40°C, operating cycle 34.25%)
	155 Years (SN 29500 standard, temperature 40°C, operating cycle 100%)
Pin assignment	3, 5, 6, 8

Electrical properties

Maximum power dissipation for nominal condition	0.025 W
Nominal voltage U_N	5 V
Nominal current I_N	100 mA
Transmission medium	Copper

Connection data

D-SUB connection

Connection method	D-SUB connector
-------------------	-----------------

PCB connection

Connection method	Screw connection
Stripping length	5 mm
Conductor cross section, rigid min.	0.14 mm ²
Conductor cross section, rigid max.	1.5 mm ²
Conductor cross section flexible min.	0.14 mm ²
Conductor cross section flexible max.	1 mm ²
Single-wire/terminal point, rigid AWG min.	26
Single-wire/terminal point, rigid AWG max.	16
Min. AWG conductor cross section, flexible	26
Max. AWG conductor cross section, flexible	18

Interfaces

Bus system	PROFIBUS DP
Signal	PROFIBUS

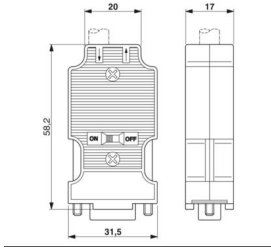
Dimensions

SUBCON-PLUS-PROFIB/AX/SC - D-SUB bus connector



2744380

<https://www.phoenixcontact.com/us/products/2744380>

Dimensional drawing	
Width	17 mm
Height	31.5 mm
Length	58.2 mm

Material specifications

Material Housing	ABS, metal-plated
------------------	-------------------

Cable/line

External cable diameter ()	7.6 mm ... 8.4 mm (Incoming bus line)
-----------------------------	---------------------------------------

Mechanical properties

Mechanical data

Insertion/withdrawal cycles	> 200
-----------------------------	-------

Environmental and real-life conditions

Ambient conditions

Degree of protection	IP40
Ambient temperature (operation)	-20 °C ... 75 °C
Ambient temperature (storage/transport)	-25 °C ... 80 °C
Altitude	≤ 5000 m (For restrictions, see the manufacturer's declaration for altitude operation)
Permissible humidity (operation)	10 % ... 95 % (non-condensing)
Permissible humidity (storage/transport)	5 % ... 95 % (non-condensing)

Approvals

EAC

Identification	EAC
----------------	-----

ATEX

Identification	Ⓜ II 3 G Ex ec IIC T4 Gc
Certificate	PxCIF15ATEX2744348X
Note	Please follow the special installation instructions in the documentation!

UKEX

Identification	Ⓜ II 3 G Ex ec IIC T4 Gc
Certificate	PxCIMA22UKEX2744348X

SUBCON-PLUS-PROFIB/AX/SC - D-SUB bus connector



2744380

<https://www.phoenixcontact.com/us/products/2744380>

Corrosive gas test

Identification

ISA-S71.04-1985 G3 Harsh Group A

Standards and regulations

Free from substances that could impair the application of coating

in accordance with VW-AUDI-Seat central standard P-VW 3.10.7
57 65 0

SUBCON-PLUS-PROFIB/AX/SC - D-SUB bus connector



2744380

<https://www.phoenixcontact.com/us/products/2744380>

Classifications

ECLASS

ECLASS-11.0	27440302
ECLASS-13.0	27440302
ECLASS-12.0	27440302

ETIM

ETIM 8.0	EC001132
----------	----------

UNSPSC

UNSPSC 21.0	39121400
-------------	----------

SUBCON-PLUS-PROFIB/AX/SC - D-SUB bus connector



2744380

<https://www.phoenixcontact.com/us/products/2744380>

Environmental product compliance

China RoHS	Environmentally friendly use period: unlimited = EFUP-e
	No hazardous substances above threshold values

Phoenix Contact 2024 © - all rights reserved
<https://www.phoenixcontact.com>

Phoenix Contact USA
586 Fulling Mill Road
Middletown, PA 17057, United States
(+717) 944-1300
info@phoenixcon.com