

# SUBCON-PLUS-PROFIB/AX - D-SUB bus connector



2744377

<https://www.phoenixcontact.com/us/products/2744377>

Please be informed that the data shown in this PDF document is generated from our online catalog. Please find the complete data in the user documentation. Our general terms of use for downloads are valid.



D-SUB connector, 9-pos., male connector, axial version with two cable entries, bus system: PROFIBUS DP up to 12 Mbps, termination resistor can be switched on via slide switch, pin assignment: 3, 5, 6, 8; spring-cage connection terminal blocks

## Product description

The D-SUB series, **SUBCON-PLUS-PROFIB/...** was specially designed for use in PROFIBUS systems up to 12 Mbps. Under field conditions, it allows convenient and fast connection of the incoming and outgoing bus cable. The terminating resistor is already integrated in all versions. It can be connected externally by means of a slide switch. At the same time, the outgoing bus segment is switched off. This makes it easy to start up segment by segment while incorrect terminations are avoided.

## Commercial data

Item number	2744377
Packing unit	1 pc
Minimum order quantity	1 pc
Sales key	DN10
Product key	DNC531
Catalog page	Page 447 (C-6-2019)
GTIN	4017918818135
Weight per piece (including packing)	53.94 g
Weight per piece (excluding packing)	53 g
Customs tariff number	85366990
Country of origin	DE

# SUBCON-PLUS-PROFIB/AX - D-SUB bus connector



2744377

<https://www.phoenixcontact.com/us/products/2744377>

## Technical data

### Notes

#### Utilization restriction

CCCex note	Use in potentially explosive areas is not permitted in China.
------------	---

### Product properties

Product type	Data plug
MTTF	6706 Years (SN 29500 standard, temperature 25°C, operating cycle 21%)
	1817 Years (SN 29500 standard, temperature 40°C, operating cycle 34.25%)
	155 Years (SN 29500 standard, temperature 40°C, operating cycle 100%)
Pin assignment	3, 5, 6, 8

### Electrical properties

Maximum power dissipation for nominal condition	0.025 W
Nominal voltage $U_N$	5 V
Nominal current $I_N$	100 mA
Transmission medium	Copper

### Connection data

Tightening torque	... 0.4 Nm
-------------------	------------

#### D-SUB connection

Connection method	D-SUB connector
-------------------	-----------------

#### PCB connection

Connection method	Spring-cage connection
Stripping length	9 mm
Conductor cross section, rigid min.	0.12 mm <sup>2</sup>
Conductor cross section, rigid max.	0.5 mm <sup>2</sup>
Single-wire/terminal point, rigid AWG min.	26
Single-wire/terminal point, rigid AWG max.	20

### Interfaces

Bus system	PROFIBUS DP
Signal	PROFIBUS

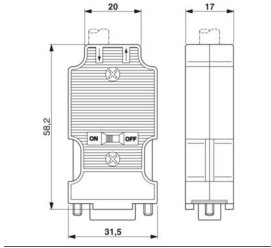
### Dimensions

# SUBCON-PLUS-PROFIB/AX - D-SUB bus connector



2744377

<https://www.phoenixcontact.com/us/products/2744377>

Dimensional drawing	
Width	17 mm
Height	31.5 mm
Length	58.2 mm

## Material specifications

Material Housing	ABS, metal-plated
------------------	-------------------

## Cable/line

External cable diameter ( )	7.6 mm ... 8.4 mm (Incoming bus line)
-----------------------------	---------------------------------------

## Mechanical properties

### Mechanical data

Insertion/withdrawal cycles	> 200
-----------------------------	-------

## Environmental and real-life conditions

### Ambient conditions

Degree of protection	IP40
Ambient temperature (operation)	-20 °C ... 75 °C
Ambient temperature (storage/transport)	-25 °C ... 80 °C
Altitude	≤ 5000 m (For restrictions, see the manufacturer's declaration for altitude operation)
Permissible humidity (operation)	10 % ... 95 % (non-condensing)
Permissible humidity (storage/transport)	5 % ... 95 % (non-condensing)

## Approvals

### EAC

Identification	EAC
----------------	-----

### ATEX

Identification	Ⓔ II 3 G Ex ec IIC T4 Gc
Certificate	PxCIF15ATEX2744348X
Note	Please follow the special installation instructions in the documentation!

### UKEX

Identification	Ⓔ II 3 G Ex ec IIC T4 Gc
Certificate	PxCIMA22UKEX2744348X

# SUBCON-PLUS-PROFIB/AX - D-SUB bus connector



2744377

<https://www.phoenixcontact.com/us/products/2744377>

## Corrosive gas test

Identification

ISA-S71.04-1985 G3 Harsh Group A

## Standards and regulations

Free from substances that could impair the application of coating

in accordance with VW-AUDI-Seat central standard P-VW 3.10.7  
57 65 0

# SUBCON-PLUS-PROFIB/AX - D-SUB bus connector



2744377

<https://www.phoenixcontact.com/us/products/2744377>

## Classifications

### ECLASS

ECLASS-11.0	27440302
ECLASS-13.0	27440302
ECLASS-12.0	27440302

### ETIM

ETIM 8.0	EC001132
----------	----------

### UNSPSC

UNSPSC 21.0	39121400
-------------	----------

# SUBCON-PLUS-PROFIB/AX - D-SUB bus connector



2744377

<https://www.phoenixcontact.com/us/products/2744377>

## Environmental product compliance

China RoHS	Environmentally friendly use period: unlimited = EFUP-e
	No hazardous substances above threshold values

Phoenix Contact 2024 © - all rights reserved  
<https://www.phoenixcontact.com>

Phoenix Contact USA  
586 Fulling Mill Road  
Middletown, PA 17057, United States  
(+717) 944-1300  
[info@phoenixcon.com](mailto:info@phoenixcon.com)