

ME 22,5 F-UT BUS/10+2 GN - Mounting base housing



2706030

<https://www.phoenixcontact.com/us/products/2706030>

Please be informed that the data shown in this PDF document is generated from our online catalog. Please find the complete data in the user documentation. Our general terms of use for downloads are valid.



DIN rail housing, Lower housing part with metal foot catch, flat design, with vents, width: 22.6 mm, height: 99 mm, depth: 84.8 mm, color: green (similar RAL 6021), cross connection: integrated bus connector, number of positions cross connector: 10+2, Bus connector: 10 parallel contacts, 2 serial contacts

Your advantages

- Tool-free mounting
- Available in overall widths from 12.5 mm to 90 mm, modular extension possible
- Flammability rating V0 in accordance with UL 94
- Variety of connection technology
- Can be mounted on the DIN rail
- With integrated or DIN-rail-mountable bus connector as an option

Commercial data

| | |
|--------------------------------------|--------------------------------|
| Item number | 2706030 |
| Packing unit | 10 pc |
| Minimum order quantity | 10 pc |
| Note | Made to order (non-returnable) |
| Sales key | AC08 |
| Product key | ACHAAB |
| Catalog page | Page 663 (C-1-2013) |
| GTIN | 4017918727635 |
| Weight per piece (including packing) | 47.41 g |
| Weight per piece (excluding packing) | 41.298 g |
| Customs tariff number | 85369010 |
| Country of origin | DE |

ME 22,5 F-UT BUS/10+2 GN - Mounting base housing



2706030

<https://www.phoenixcontact.com/us/products/2706030>

Technical data

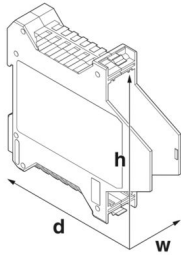
Notes

| | |
|---------|---|
| General | Refer to the data sheet for the range in the download area. |
| General | Material of contact pads for bus connector, galvanic gold (hard gold) |

Product properties

| | |
|------------------------------|--|
| Type | Lower housing parts with vents, housing cover necessary to complete the module |
| Product type | Enclosure bottom part |
| Housing series | ME |
| Product family | ME F UT BUS |
| Type | Lower housing part with metal foot catch, flat design |
| Housing type | DIN rail housing |
| Ventilation openings present | yes |

Dimensions

| | |
|--|--|
| Dimensional drawing |  |
| Width | 22.6 mm |
| Height | 99 mm |
| Depth | 84.8 mm |
| Depth from top edge of DIN rail | 78.2 mm |
| Depth from top edge of DIN rail to support point on upper part | 46 mm |

PCB design

| | |
|---------------|-------------------|
| PCB thickness | 1.4 mm ... 1.8 mm |
|---------------|-------------------|

Material specifications

| | |
|--|------------------|
| Color (Housing) | green (RAL 6021) |
| Flammability rating according to UL 94 | V0 |
| CTI according to IEC 60112 | 600 |
| Surface characteristics | untreated |
| Housing material | Polyamide |

Environmental and real-life conditions

Power dissipation single housing for 20 °C

ME 22,5 F-UT BUS/10+2 GN - Mounting base housing



2706030

<https://www.phoenixcontact.com/us/products/2706030>

| | |
|---------------------|----------|
| Ambient temperature | 20 °C |
| Reduction factor | 1 |
| Mounting position | vertical |
| Power dissipation | 5.9 W |

Power dissipation single housing for 30 °C

| | |
|---------------------|----------|
| Ambient temperature | 30 °C |
| Reduction factor | 0.91 |
| Mounting position | vertical |
| Power dissipation | 5.4 W |

Power dissipation single housing for 40 °C

| | |
|---------------------|----------|
| Ambient temperature | 40 °C |
| Reduction factor | 0.81 |
| Mounting position | vertical |
| Power dissipation | 4.8 W |

Power dissipation single housing for 50 °C

| | |
|---------------------|----------|
| Ambient temperature | 50 °C |
| Reduction factor | 0.7 |
| Mounting position | vertical |
| Power dissipation | 4.1 W |

Power dissipation single housing for 60 °C

| | |
|---------------------|----------|
| Ambient temperature | 60 °C |
| Reduction factor | 0.57 |
| Mounting position | vertical |
| Power dissipation | 3.35 W |

Power dissipation single housing for 70 °C

| | |
|---------------------|----------|
| Ambient temperature | 70 °C |
| Reduction factor | 0.49 |
| Mounting position | vertical |
| Power dissipation | 2.9 W |

Vibration test

| | |
|------------------------|-----------------------------|
| Specification | IEC 60068-2-6:2007-12 |
| Frequency | 10 - 150 - 10 Hz |
| Sweep speed | 1 octave/min |
| Amplitude | 0.15 mm (10 Hz ... 58.1 Hz) |
| Acceleration | 2g (58.1 Hz ... 150 Hz) |
| Test duration per axis | 2.5 h |
| Test directions | X-, Y- and Z-axis |

Glow-wire test

| | |
|---------------|------------------------|
| Specification | IEC 60695-2-11:2014-02 |
| Temperature | 850 °C |

ME 22,5 F-UT BUS/10+2 GN - Mounting base housing



2706030

<https://www.phoenixcontact.com/us/products/2706030>

| | |
|------------------|------|
| Time of exposure | 30 s |
|------------------|------|

Thermal stability / ball thrust test

| | |
|---------------|------------------------|
| Specification | IEC 60695-10-2:2014-02 |
| Temperature | 125 °C |
| Test duration | 1 h |
| Force | 20 N |

Mechanical strength / tumbling barrel

| | |
|----------------|---------------------|
| Specification | IEC 60998-1:2002-12 |
| Height of fall | 50 cm |
| Frequency | 10 |

Shocks

| | |
|--------------------------------|-----------------------------------|
| Specification | IEC 60068-2-27:2008-02 |
| Pulse shape | Half-sine |
| Acceleration | 15g |
| Shock duration | 11 ms |
| Number of shocks per direction | 3 |
| Test directions | X-, Y- and Z-axis (pos. and neg.) |

Degree of protection (IP code)

| | |
|---------------|---|
| Specification | IEC 60529:1989-11 + AMD 1:1999-11 + AMD 2:2013-08 |
|---------------|---|

Ambient conditions

| | |
|---|--|
| Max. IP code to attain | IP20 |
| Ambient temperature (operation) | -40 °C ... 105 °C (depending on power dissipation) |
| Ambient temperature (storage/transport) | -40 °C ... 55 °C |
| Ambient temperature (assembly) | -5 °C ... 100 °C |
| Relative humidity (storage/transport) | 80 % |

PCB data

| | |
|-----------------------|---|
| Number of PCB holders | 1 |
| Type of PCB mount | Insertion (optional latching by PCB stop) |
| Thickness of the PCB | 1.4 mm ... 1.8 mm |

Mounting

| | |
|-------------------|--------------------------------|
| Mounting type | DIN rail mounting |
| Mounting position | Vertical (horizontal DIN rail) |

Packaging specifications

| | |
|----------------------|---------------------|
| Type of packaging | packed in cardboard |
| Outer packaging type | Carton |

ME 22,5 F-UT BUS/10+2 GN - Mounting base housing



2706030

<https://www.phoenixcontact.com/us/products/2706030>

Classifications

ECLASS

| | |
|-------------|----------|
| ECLASS-11.0 | 27182702 |
| ECLASS-13.0 | 27190601 |

ETIM

| | |
|----------|----------|
| ETIM 9.0 | EC001031 |
|----------|----------|

UNSPSC

| | |
|-------------|----------|
| UNSPSC 21.0 | 31261500 |
|-------------|----------|

ME 22,5 F-UT BUS/10+2 GN - Mounting base housing



2706030

<https://www.phoenixcontact.com/us/products/2706030>

Environmental product compliance

| | |
|------------|---|
| China RoHS | Environmentally friendly use period: unlimited = EFUP-e |
| | No hazardous substances above threshold values |

Phoenix Contact 2024 © - all rights reserved
<https://www.phoenixcontact.com>

Phoenix Contact USA
586 Fulling Mill Road
Middletown, PA 17057, United States
(+717) 944-1300
info@phoenixcon.com