

# PSD-S OE LED MC - Optical element



2702090

<https://www.phoenixcontact.com/us/products/2702090>

Please be informed that the data shown in this PDF document is generated from our online catalog. Please find the complete data in the user documentation. Our general terms of use for downloads are valid.

LED permanent light element, 24 V DC, 7 colors



## Product description

The multi-colored LED permanent light element is designed for signaling machine states, for example. The optical element can light up red, green, yellow, blue, white, violet, and turquoise. The color is selected via different combinations of the control signals present at the signal tower connection element.

## Your advantages

- 7 colors in one element
- Can be freely combined
- High light and color intensity
- Minimum LED service life of 50,000 h
- Low power consumption
- Degree of protection IP65

## Commercial data

Item number	2702090
Packing unit	1 pc
Minimum order quantity	1 pc
Sales key	DR07
Product key	DRL112
Catalog page	Page 515 (C-6-2019)
GTIN	4046356943185
Weight per piece (including packing)	82.2 g
Weight per piece (excluding packing)	77 g
Customs tariff number	85318070
Country of origin	DE

# PSD-S OE LED MC - Optical element



2702090

<https://www.phoenixcontact.com/us/products/2702090>

## Technical data

### Product properties

Product type	Optical element
Area of application	Signal tower

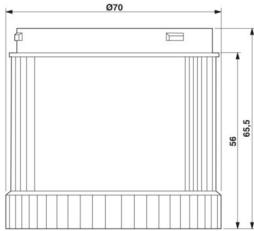
### Electrical properties

Maximum power dissipation for nominal condition	12 W
---	------

### General

Input voltage	24 V DC
Maximum inrush current	max. 500 mA
Current consumption	120 mA
Source of light type	LED
Operating time	100 %
Service life electrical	max. 50,000 h
Optical signal type	Permanent light

### Dimensions

Dimensional drawing	
Height	65.5 mm
Diameter	70 mm

### Material specifications

Calotte color	clear
Color	red
	green
	yellow
	blue
	white
	violet
	turquoise
Note color	In an unconnected state the calotte is clear, once connected it is illuminated according to the colors specified in the control.
Material	Polycarbonate PC

### Environmental and real-life conditions

# PSD-S OE LED MC - Optical element



2702090

<https://www.phoenixcontact.com/us/products/2702090>

## Ambient conditions

Degree of protection	IP65 (when installed or with end cover)
Ambient temperature (operation)	-20 °C ... 50 °C

## EMC data

Electromagnetic compatibility	Conformance with EMC Directive 2014/30/EU
-------------------------------	---

## Mounting

Mounting type	Plug-in mounting
Assembly instructions	Rubber seal pre-installed for each element
Mounting position	any

# PSD-S OE LED MC - Optical element



2702090

<https://www.phoenixcontact.com/us/products/2702090>

## Classifications

### ECLASS

ECLASS-11.0	27371220
ECLASS-12.0	27371220
ECLASS-13.0	27371220

### ETIM

ETIM 9.0	EC000232
----------	----------

### UNSPSC

UNSPSC 21.0	46171600
-------------	----------

# PSD-S OE LED MC - Optical element



2702090

<https://www.phoenixcontact.com/us/products/2702090>

## Environmental product compliance

China RoHS	Environmentally Friendly Use Period = 50 years For information on hazardous substances, refer to the manufacturer's declaration available under "Downloads"
------------	--

Phoenix Contact 2024 © - all rights reserved  
<https://www.phoenixcontact.com>

Phoenix Contact USA  
586 Fulling Mill Road  
Middletown, PA 17057, United States  
(+717) 944-1300  
[info@phoenixcon.com](mailto:info@phoenixcon.com)