

ANT-DIR-2459-01 - Antenna

2701186

<https://www.phoenixcontact.com/us/products/2701186>

Please be informed that the data shown in this PDF document is generated from our online catalog. Please find the complete data in the user documentation. Our general terms of use for downloads are valid.

Directional antenna for wall or mast mounting, 2.4 GHz / 5 GHz, gain: 9 dBi, degree of protection: IP67, shockproof: IK06, saltwater-resistant, connection: N (female), incl. mounting bracket and mast clamps, ATEX and IECEx approval



Your advantages

- Ideally suited for stationary or linear mobile applications with 2.4 GHz or 5 GHz
- For use in potentially explosive areas
- Salt water resistant
- Impact-resistant housing (IK08)

Commercial data

| | |
|--------------------------------------|---------------------|
| Item number | 2701186 |
| Packing unit | 1 pc |
| Minimum order quantity | 1 pc |
| Sales key | DN23 |
| Product key | DNN2Z1 |
| Catalog page | Page 389 (C-6-2019) |
| GTIN | 4046356717182 |
| Weight per piece (including packing) | 457 g |
| Weight per piece (excluding packing) | 210 g |
| Customs tariff number | 85177100 |
| Country of origin | PL |

Technical data

Notes

Utilization restriction

| | |
|------------|---|
| CCCex note | Use in potentially explosive areas is not permitted in China. |
|------------|---|

Product properties

| | |
|---------------------------|---|
| Product type | Antenna |
| Scope of delivery | included mounting bracket and mast clamps |
| Radiation characteristics | Directional |
| Gain | 9 dBi |
| Vertical beamwidth | 55 ° (2.4 GHz ... 2.5 GHz) |
| | 55 ° (5.1 GHz ... 5.9 GHz) |
| Horizontal beamwidth | 75 ° (2.4 GHz ... 2.5 GHz) |
| | 55 ° (5.1 GHz ... 5.9 GHz) |
| Polarization | Linear vertical |

Electrical properties

| | |
|------------------|-----------------------|
| Frequency band | 2.4 GHz |
| | 5 GHz |
| Frequency range | 2.4 GHz ... 2.5 GHz |
| | 5.15 GHz ... 5.83 GHz |
| Impedance | 50 Ω |
| Maximum capacity | 10.00 W |

Connection data

Connection technology

| | |
|-------------------|------------------------|
| Connection method | N (female) |
| Outside diameter | 25 mm ... 85 mm (Mast) |

Ex data

Safety data

| | |
|--------------------------------|---------------|
| Input voltage U_i | 30 V |
| Input current I_i | 600 mA |
| Input power P_i | ≤ 1 W (30 dB) |
| Max. internal inductance L_i | negligible |
| Capacitance C_i | negligible |

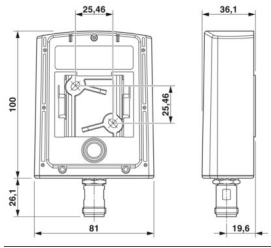
Dimensions

ANT-DIR-2459-01 - Antenna

2701186

<https://www.phoenixcontact.com/us/products/2701186>



| | |
|---------------------|--|
| Dimensional drawing |  |
| Width | 80 mm |
| Height | 100 mm |
| Length | 35 mm |

External dimensions

| | |
|------------------|------------------------|
| Outside diameter | 25 mm ... 85 mm (Mast) |
|------------------|------------------------|

Material specifications

| | |
|----------|----------------|
| Material | Lexan EXL 9330 |
| | V2A |
| | V2A |

Cable/line

| | |
|------------------|----------------------|
| Connecting cable | No |
| Other resistance | salt water resistant |

Environmental and real-life conditions

Ambient conditions

| | |
|---|------------------|
| Degree of protection | IP67 |
| Ambient temperature (operation) | -40 °C ... 75 °C |
| Ambient temperature (storage/transport) | -40 °C ... 85 °C |
| Wind velocity | 220 km/h |

Approvals

Electronic devices in rail vehicles

| | |
|-----------------------|---|
| Shock (operation) | In accordance with EN 50125-3, positioning profile: "away from the rails" |
| Vibration (operation) | In accordance with EN 50125-3, positioning profile: "away from the rails" |

Standards and regulations

| | |
|--------------------------|----------------------|
| Other resistance | salt water resistant |
| Standards/specifications | EN 60079-0 |
| | EN 60079-11 |
| | EN 60079-26 |
| Standards/specifications | EN 50155 |
| Note | Railway application |

ANT-DIR-2459-01 - Antenna



2701186

<https://www.phoenixcontact.com/us/products/2701186>

| | |
|--------------------------|-------------------------------------|
| Standards/specifications | EN 45545-2 |
| | NFPA 130 |
| | BS 6853 |
| Note | Fire protection on railway vehicles |

Mounting

| | |
|-----------------------|----------------------|
| Mounting type | Wall mounting |
| | Mast mounting |
| Assembly instructions | Outdoors and indoors |

ANT-DIR-2459-01 - Antenna



2701186

<https://www.phoenixcontact.com/us/products/2701186>

Classifications

ECLASS

| | |
|-------------|----------|
| ECLASS-11.0 | 19070105 |
| ECLASS-12.0 | 19070105 |
| ECLASS-13.0 | 19070105 |

ETIM

| | |
|----------|----------|
| ETIM 9.0 | EC001698 |
|----------|----------|

UNSPSC

| | |
|-------------|----------|
| UNSPSC 21.0 | 43223100 |
|-------------|----------|

ANT-DIR-2459-01 - Antenna



2701186

<https://www.phoenixcontact.com/us/products/2701186>

Environmental product compliance

| | |
|------------|--|
| REACH SVHC | Lead 7439-92-1 |
| China RoHS | Environmentally Friendly Use Period = 25; |
| | For information on hazardous substances, refer to the manufacturer's declaration available under "Downloads" |

Phoenix Contact 2024 © - all rights reserved

<https://www.phoenixcontact.com>

Phoenix Contact USA
586 Fulling Mill Road
Middletown, PA 17057, United States
(+717) 944-1300
info@phoenixcon.com